

May 14, 2024  
Public Hearing

The current proposal is:

Preservation Department – Item 4, LPC-24-04069

## **39-83 45th Street – Sunnyside Gardens Historic District Borough of Queens**

To testify virtually, please join Zoom

**Webinar ID:** 825 9802 2468

**Passcode:** 721460

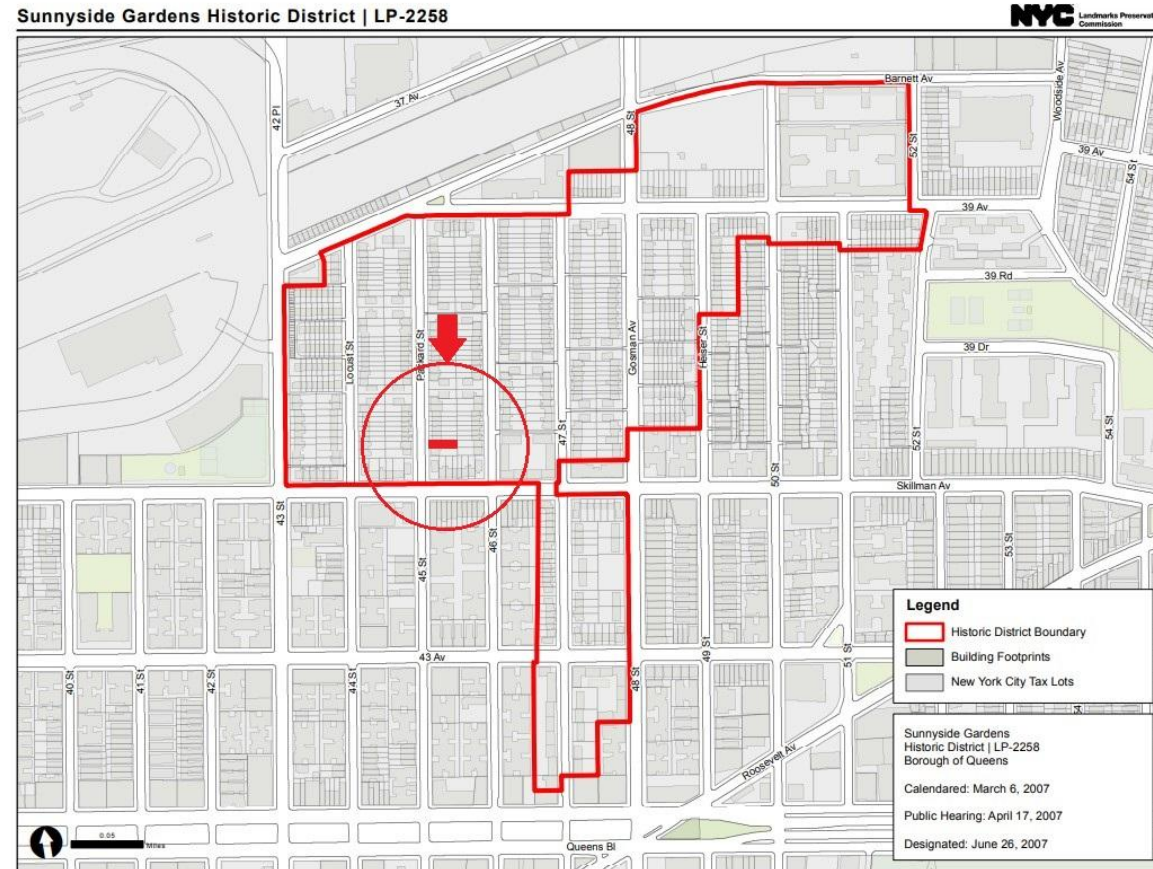
By Phone: 1 646-558-8656 US (New  
York) 877-853-5257 (Toll free) US  
888 475 4499 (Toll free)

**Note:** If you want to testify virtually on an item, join the Zoom webinar at the agenda's "Be Here by" time (about an hour in advance). When the Chair indicates it's time to testify, "raise your hand" via the Zoom app if you want to speak (\*9 on the phone). Those who signed up in advance will be called first.

39-83 45<sup>th</sup> Street

LPC-24-04069

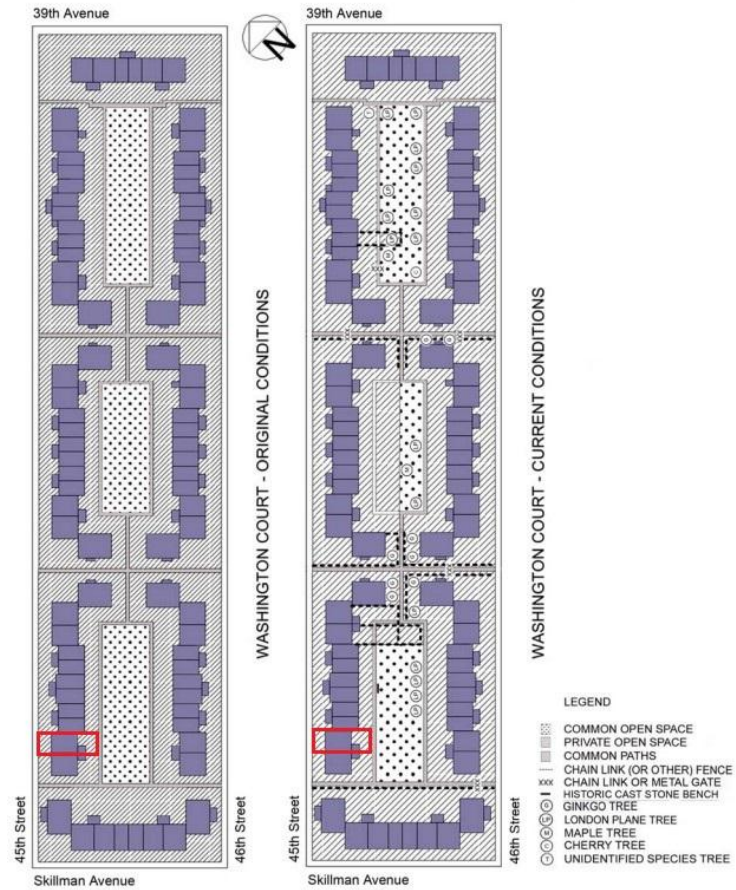
# Map of Sunnyside Historic District



# 39-83 45<sup>th</sup> St (Btwn Skillman and Barnett Ave)



# Plan of Washington Court



# Existing Skylights in Washington Court



*NW corner*



*NE corner*

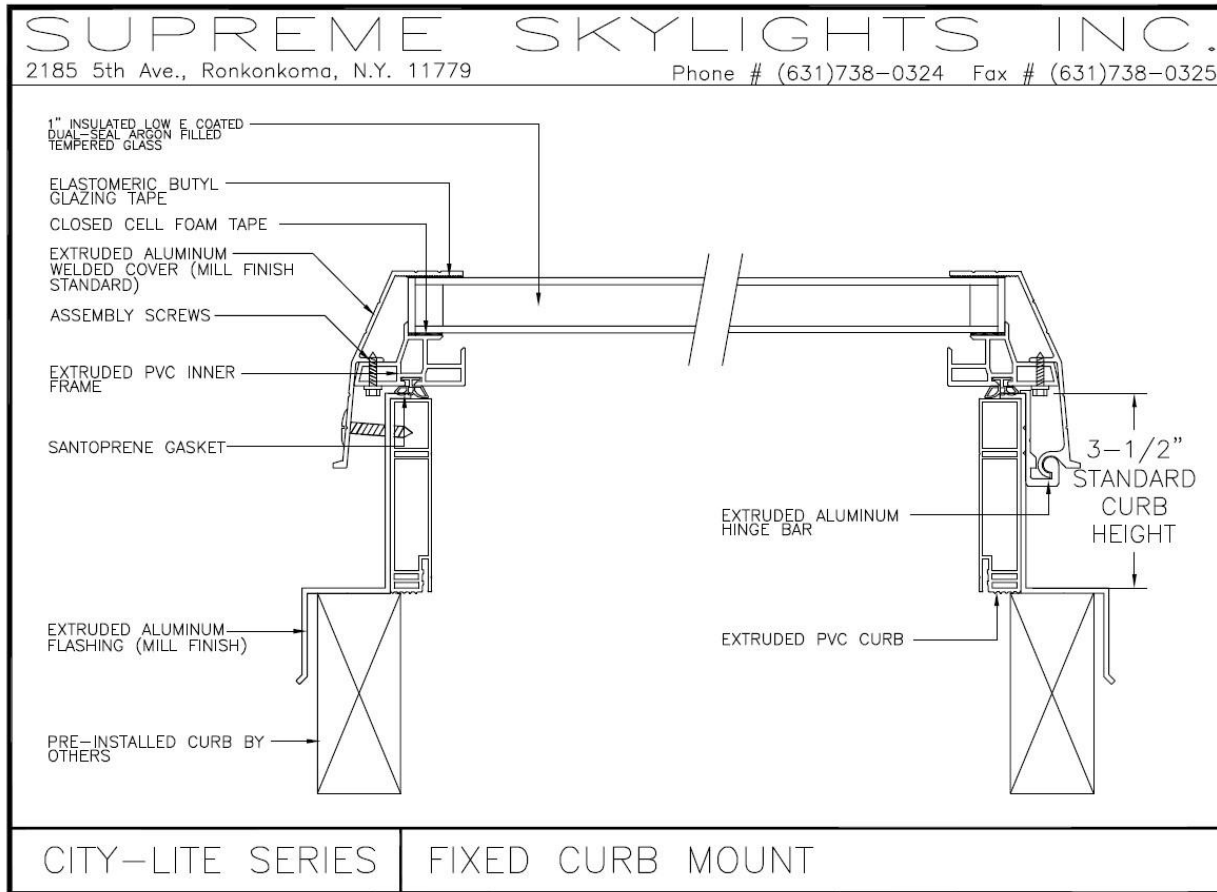


*South end*

# Rear Façade – Existing and Proposed



# Skylight Detail



**TOP AVAILABLE IN CUSTOM COLORS**

Flat Roof Incline Curb Flashing

**CURB & FLASHING OPTIONS**

- Pitched Continuous Flashing
- Pitched Step Flashing
- Flat Roof Incline Curb Flashing
- Cut Flush/Deck Mounted Curb
- Factory Muller Curb and Flashing
- Retrofit Flashing
- Custom Sizes and Shapes

**GLAZING OPTIONS**

- Clear Tempered Low E
- Bronze Tempered Low E
- Tempered Laminated
- Multi-Wall Polycarbonate
- Pattern Glass

**STANDARD SIZES**

14x22	14x30	14x45	14x60	14x72	14x96
22x22	22x30	22x45	22x60	22x72	22x96
30x30	30x45	30x60	30x72	30x96	
45x45	45x60	45x72	60x60		

Sizes listed are also the outside curb dimensions. Rough openings are 1/8" larger in width and height. Custom Sizes and Shapes available upon request.

Factory Muller Curb

Cut Flush/Deck Mounted Curb



# Visibility from 46th St (Facing West)



Fall 2023



April 2024



May 14, 2024  
Public Hearing

The current proposal is:

Preservation Department – Item 4, LPC-24-04069

## **39-83 45th Street – Sunnyside Gardens Historic District Borough of Queens**

To testify virtually, please join Zoom

**Webinar ID:** 825 9802 2468

**Passcode:** 721460

By Phone: 1 646-558-8656 US (New  
York) 877-853-5257 (Toll free) US  
888 475 4499 (Toll free)

**Note:** If you want to testify virtually on an item, join the Zoom webinar at the agenda's "Be Here by" time (about an hour in advance). When the Chair indicates it's time to testify, "raise your hand" via the Zoom app if you want to speak (\*9 on the phone). Those who signed up in advance will be called first.