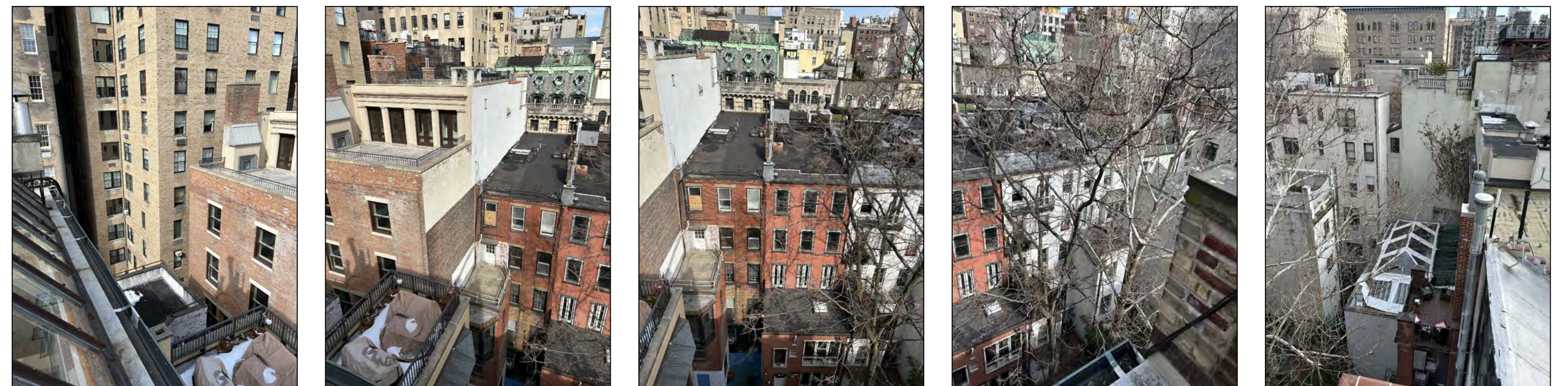


Graphic Source: Map PLUTO, Edition 18v1, Author: New York City Landmarks Preservation Commission, LCR Date: 3.28.2019

AREA OF WORK:
5 EAST 63RD STREET



VIEWS LOOKING NORTH FROM 5 EAST 63RD STREET ROOF



1940 TAX PHOTO



1980 TAX PHOTO



PHOTO 1



PHOTO 2



PHOTO 3



PHOTO 4



PHOTO 5



PHOTO 6





PHOTO OF MAIN ENTRANCE

PHOTO OF MAIN ENTRANCE



PHOTO OF 1ST FLOOR WINDOW



PHOTO OF TYPICAL WINDOW ON 2ND, 3RD,
AND 4TH FLOORS



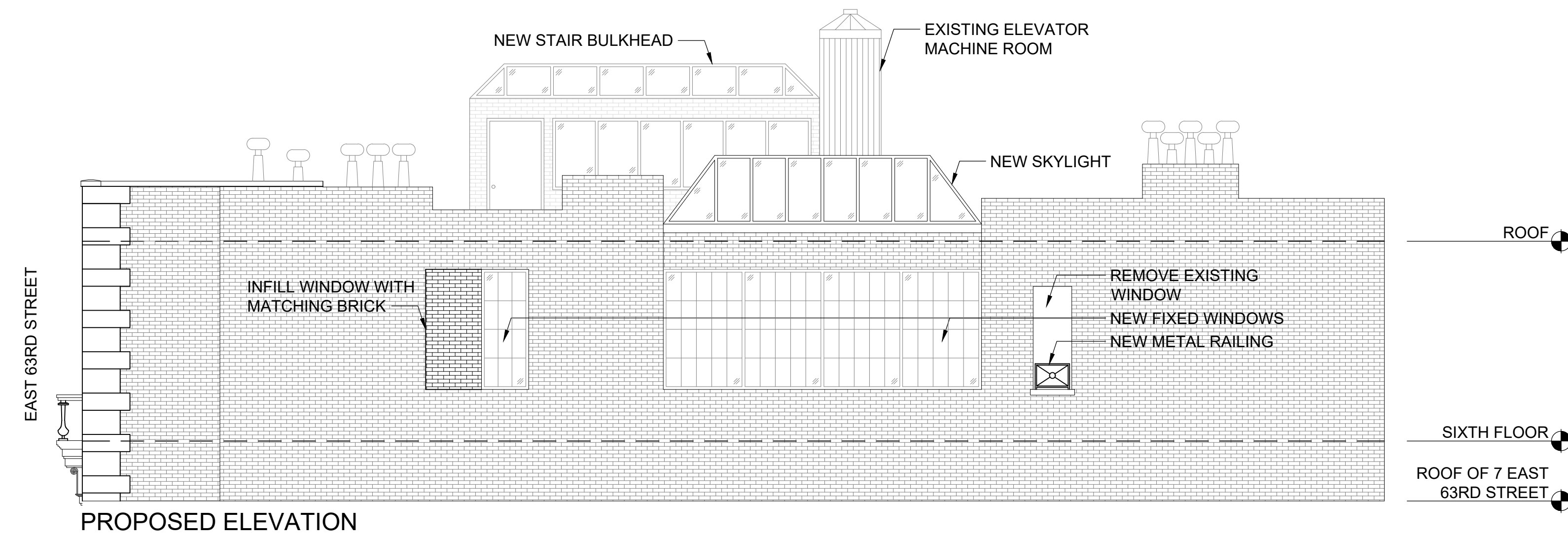
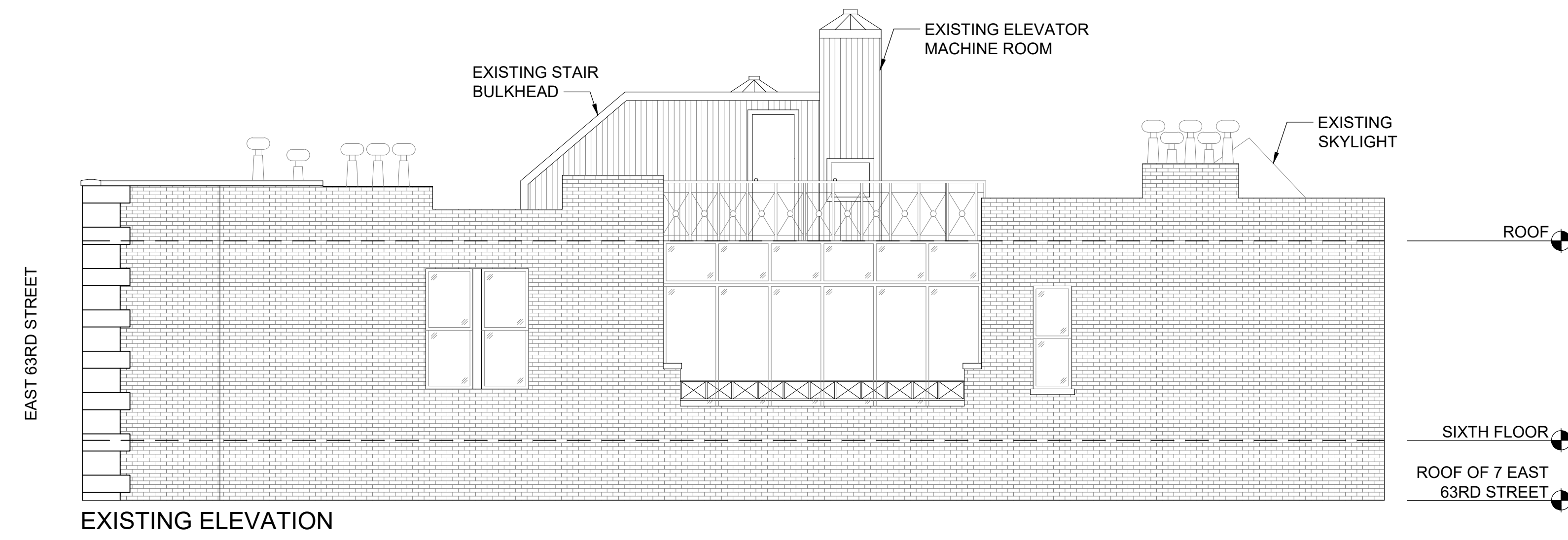
PHOTO OF MAIN ENTRANCE



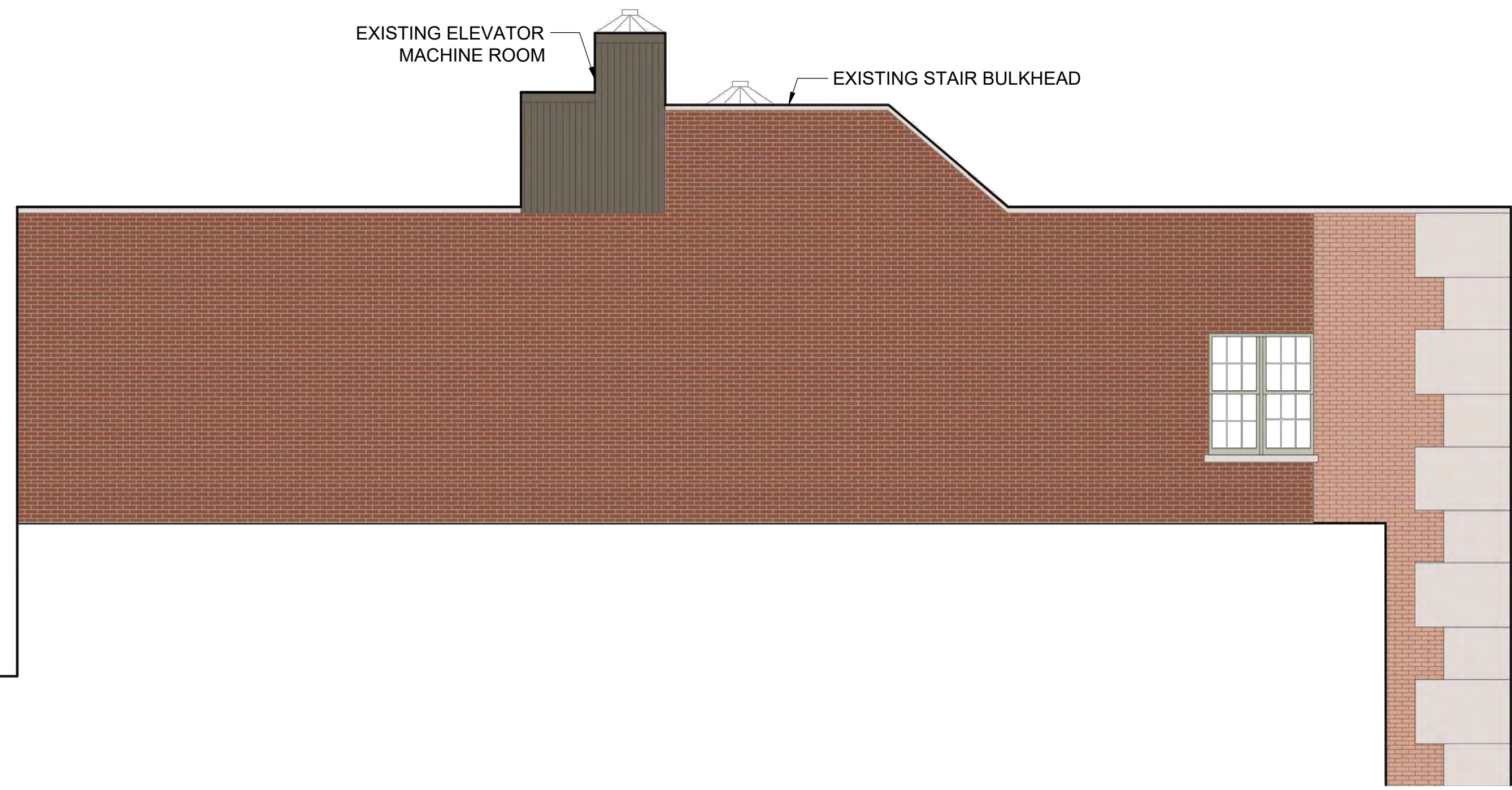


EXISTING ELEVATION

PROPOSED ELEVATION

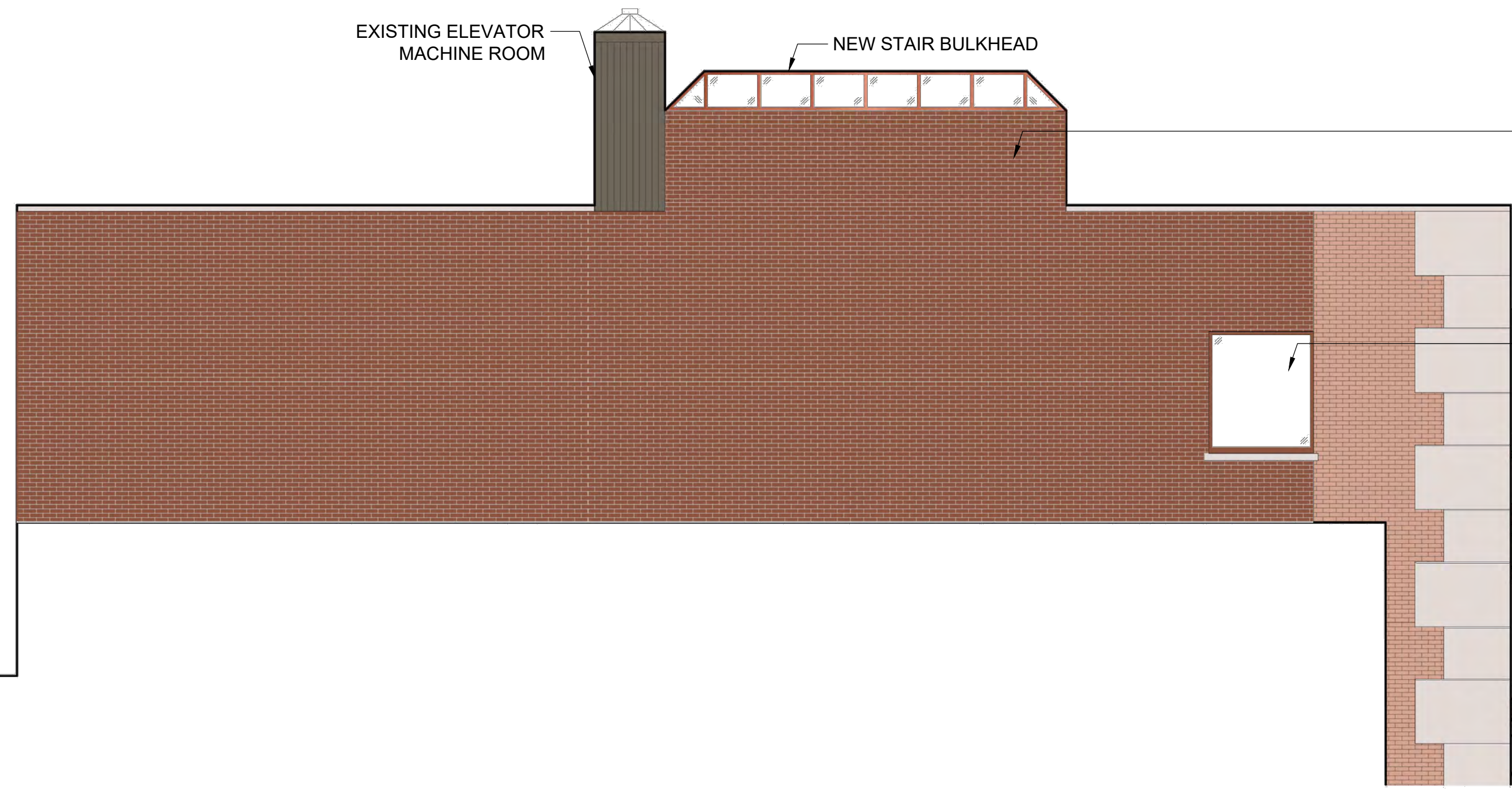


EXISTING ELEVATOR MACHINE ROOM
EXISTING STAIR BULKHEAD



EXISTING ELEVATION

EXISTING ELEVATOR MACHINE ROOM
NEW STAIR BULKHEAD



PROPOSED ELEVATION

ELEVATOR BULKHEAD 86'-8"

STAIR BULKHEAD 83'-0"

T.O. PARAPET 76'-8"

ROOF 73'-2"

SIXTH FLOOR 61'-6"

ROOF OF 3 EAST 63RD STREET

FIFTH FLOOR 50'-6"

ELEVATOR BULKHEAD 86'-8"

STAIR BULKHEAD 83'-10"

NEW BRICK MASONRY TO MATCH EXISTING

T.O. PARAPET 76'-8"

ROOF 73'-2"

NEW FIXED WINDOW IN EXISTING OPENING

SIXTH FLOOR 61'-6"

ROOF OF 3 EAST 63RD STREET

NEW CORNICE

NEW CORNICE

FIFTH FLOOR 50'-6"



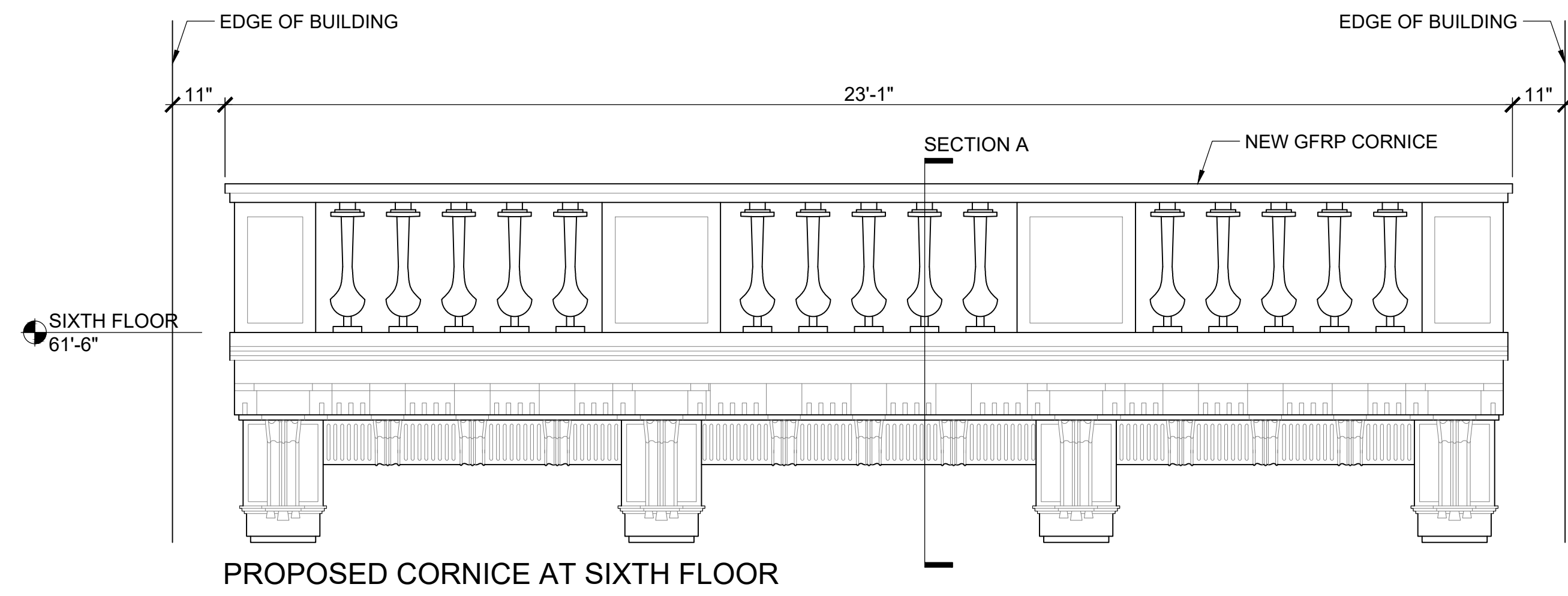
NEW STAIR BULKHEAD
MATERIAL: BRICK
COLOR: GLEN-GERY STANDARD BRICK



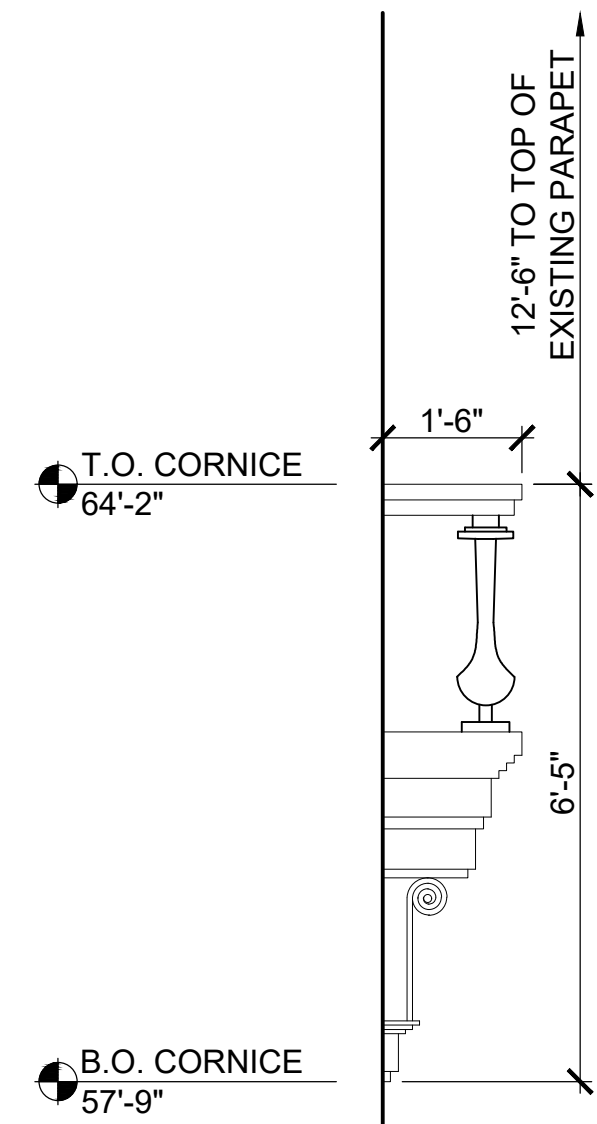
NEW SKYLIGHT FRAME
MATERIAL: COPPER



LOT LINE WINDOW
MATERIAL: METAL
COLOR: BENJAMIN MOORE HC-51 AUDUBON RUSSET
(COLOR TO MATCH ADJACENT BRICK)



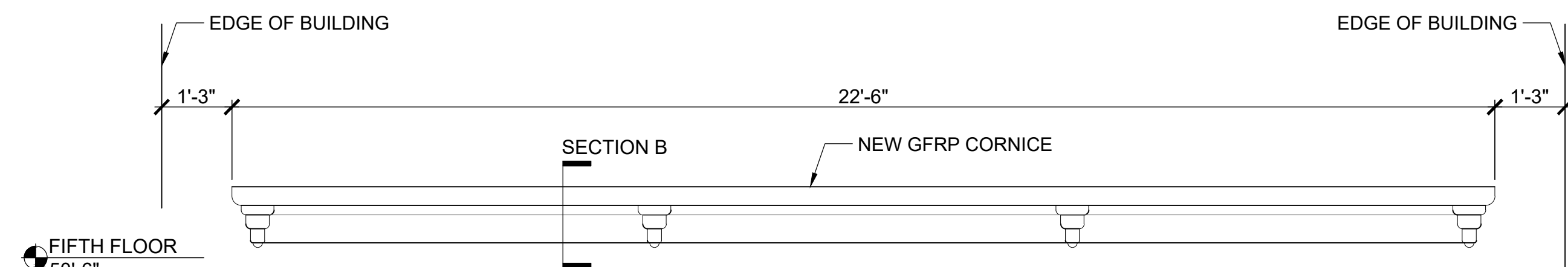
PROPOSED CORNICE AT SIXTH FLOOR



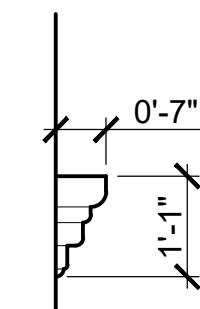
SECTION A



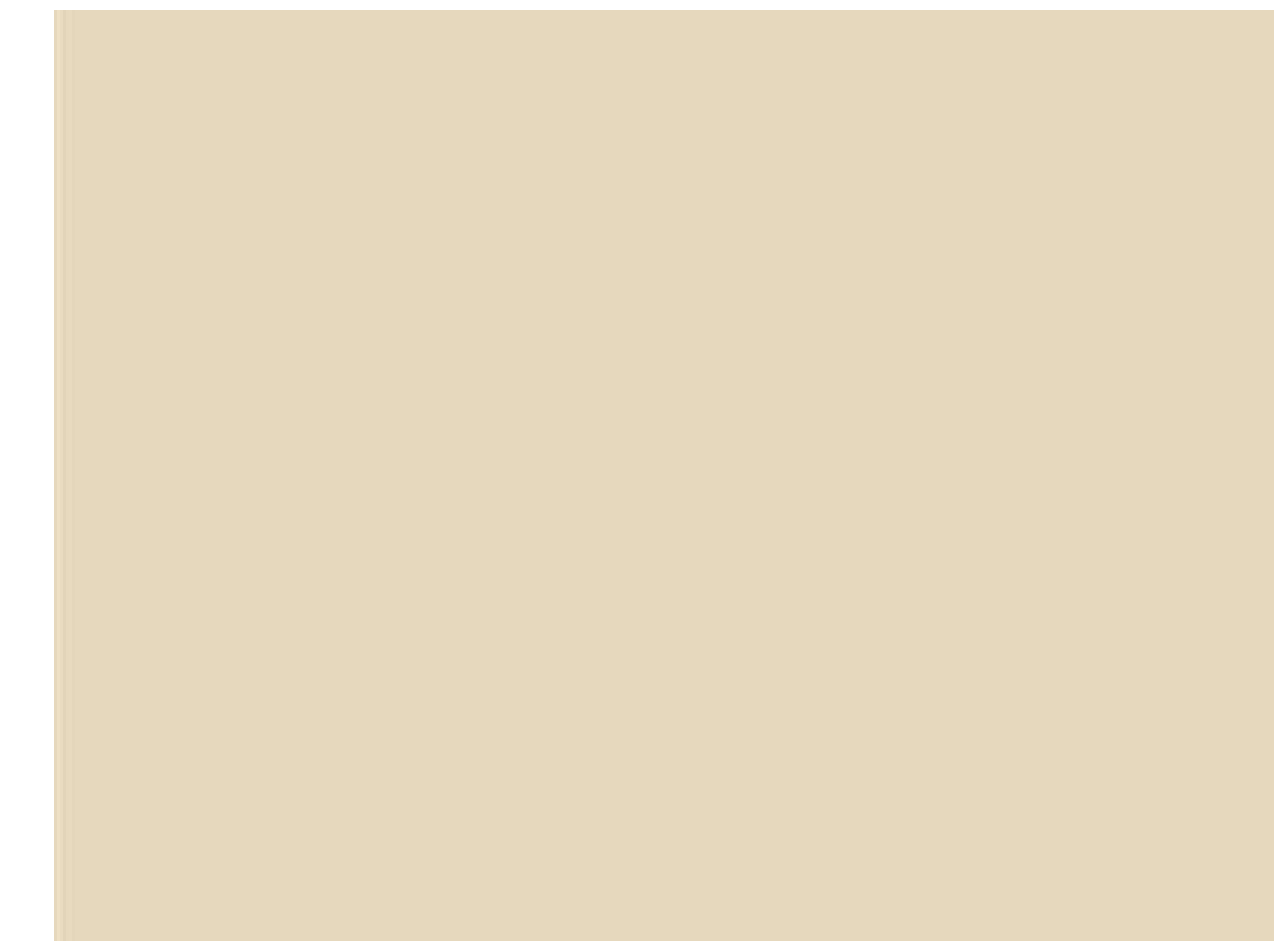
CORNICE REFERENCE (1940'S CORNICE)



PROPOSED CORNICE AT FIFTH FLOOR



SECTION B



CORNICE
 MATERIAL: GFRP MOULDING
 COLOR: BENJAMIN MOORE, GENTLE CREAM OC-96



PHOTO 1



PHOTO 2



PHOTO 3



KEY PLAN



PHOTO 1 - VIEW FROM WEST SIDE OF FIFTH AVENUE



PHOTO 1 - WITH PROPOSED BULKHEAD MOCKUP HIGHLIGHTED



PHOTO 3 - VIEW FROM SOUTHWEST CORNER OF EAST 63RD STREET



PHOTO 3 - WITH PROPOSED BULKHEAD MOCKUP HIGHLIGHTED



PHOTO 2 - VIEW FROM WEST SIDE OF FIFTH AVENUE



PHOTO 2 - WITH PROPOSED BULKHEAD MOCKUP HIGHLIGHTED



PHOTO 4 - VIEW FROM SOUTHEAST CORNER OF EAST 63RD STREET - BULKHEAD NOT VISIBLE



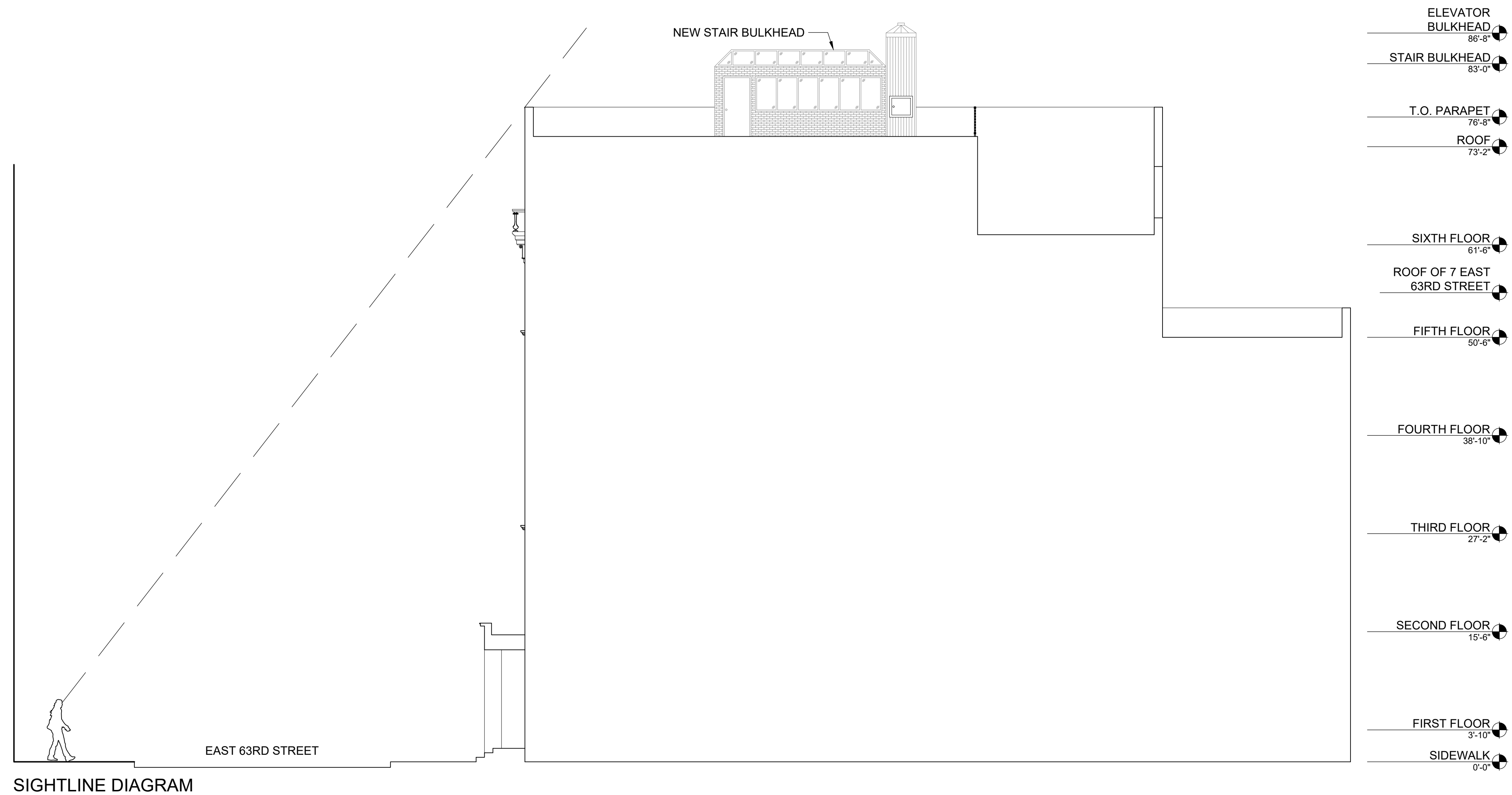




PHOTO 1



PHOTO 2



PHOTO 3



706 MADISON AVENUE



706 MADISON AVENUE



22 EAST 63RD STREET



20 EAST 63RD STREET



18, 16, 14 EAST 63RD STREET



12 EAST 63RD STREET



10 EAST 63RD STREET



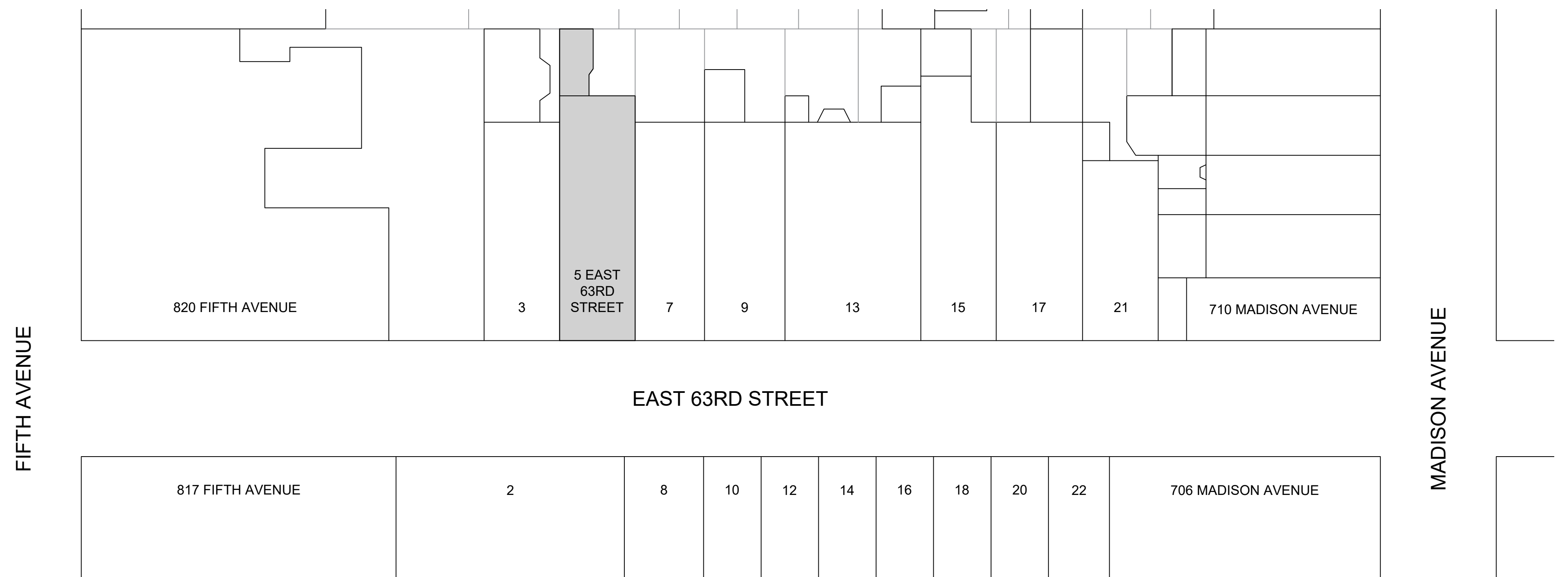
8 EAST 63RD STREET



2 EAST 63RD STREET



817 FIFTH AVENUE





820 FIFTH AVENUE AND 3 EAST 63RD STREET



7, 9, 11, 13, 15, 17 EAST 63RD STREET



21 EAST 63RD STREET

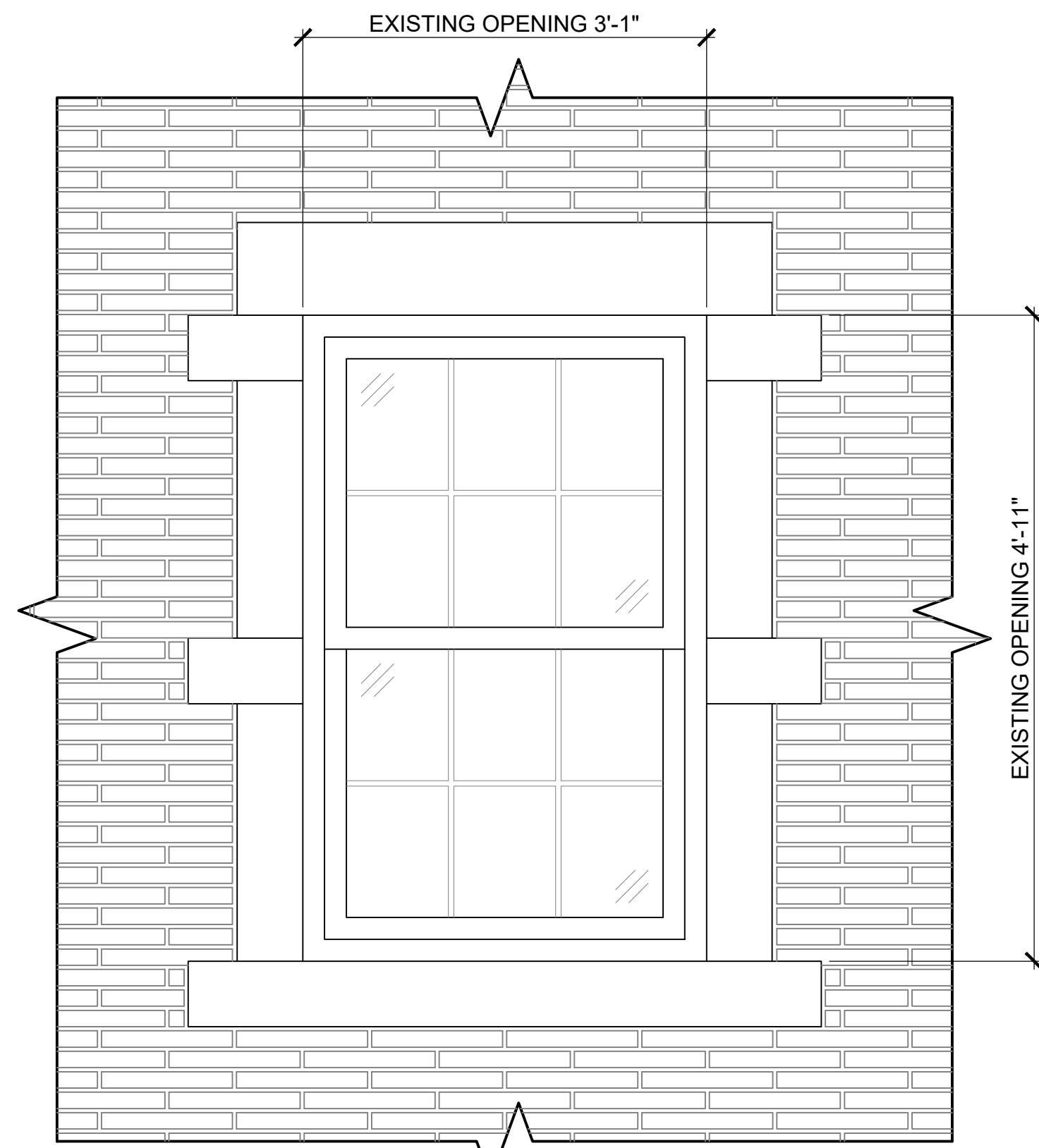


710 MADISON AVENUE

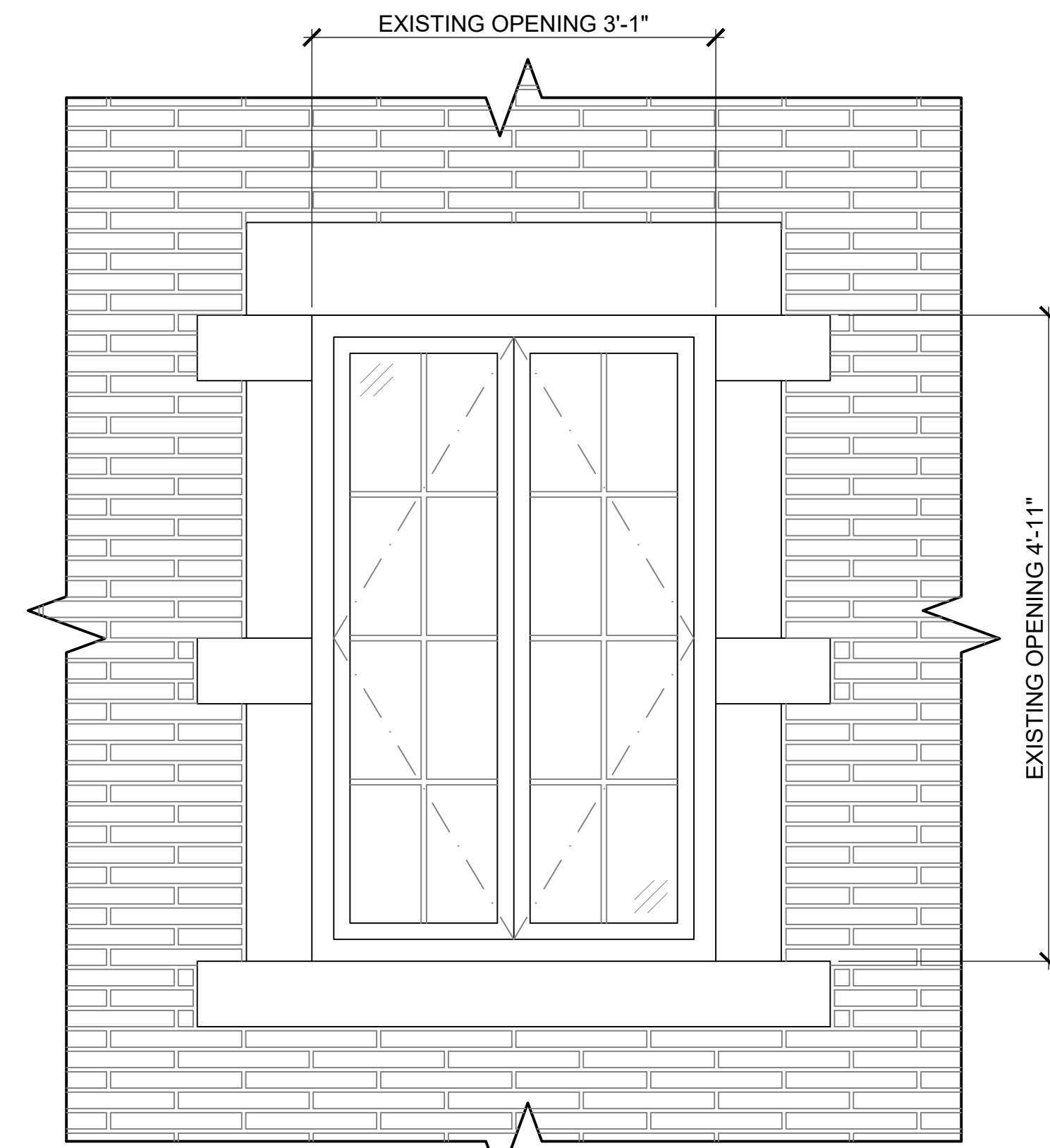


710 MADISON AVENUE

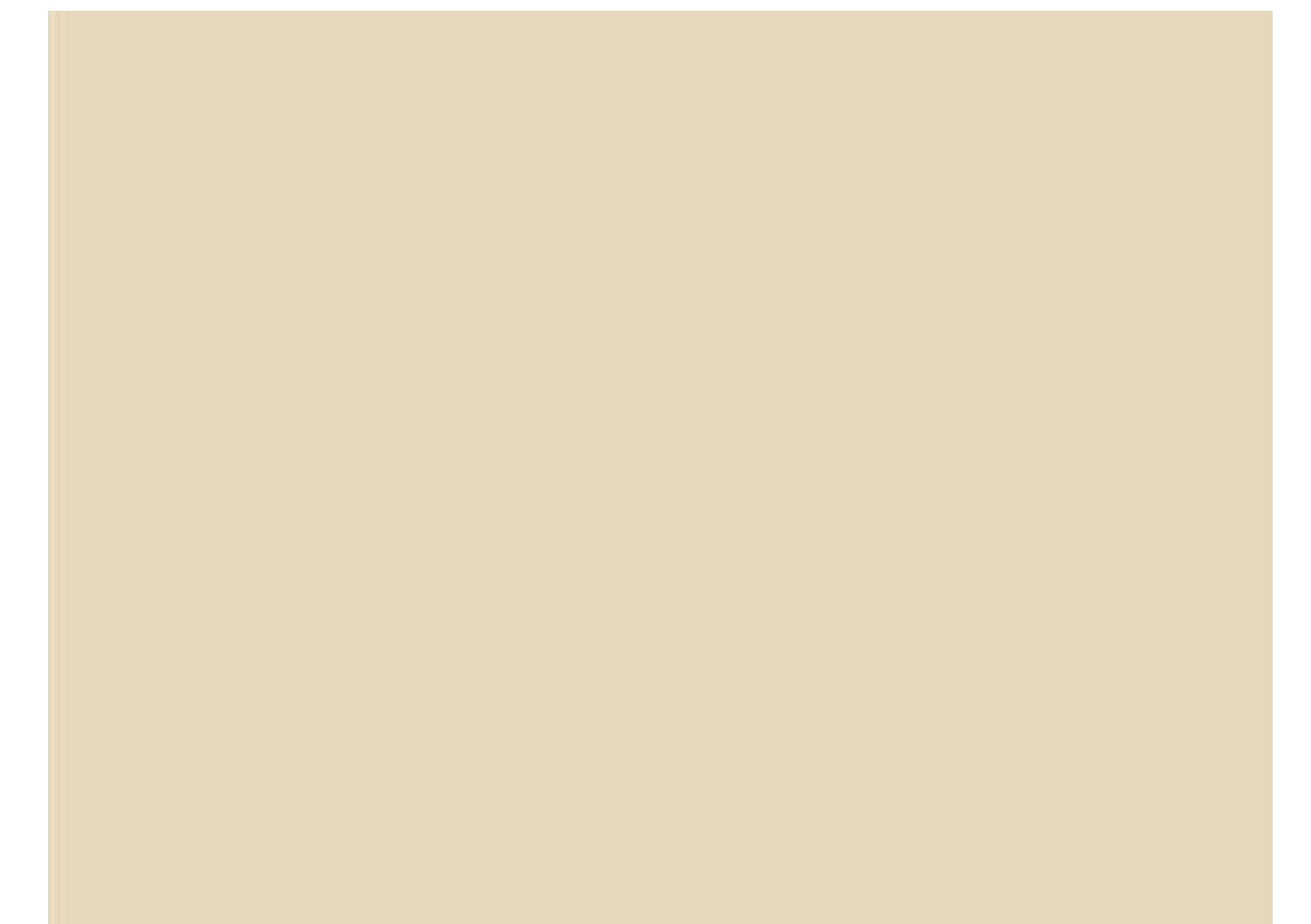
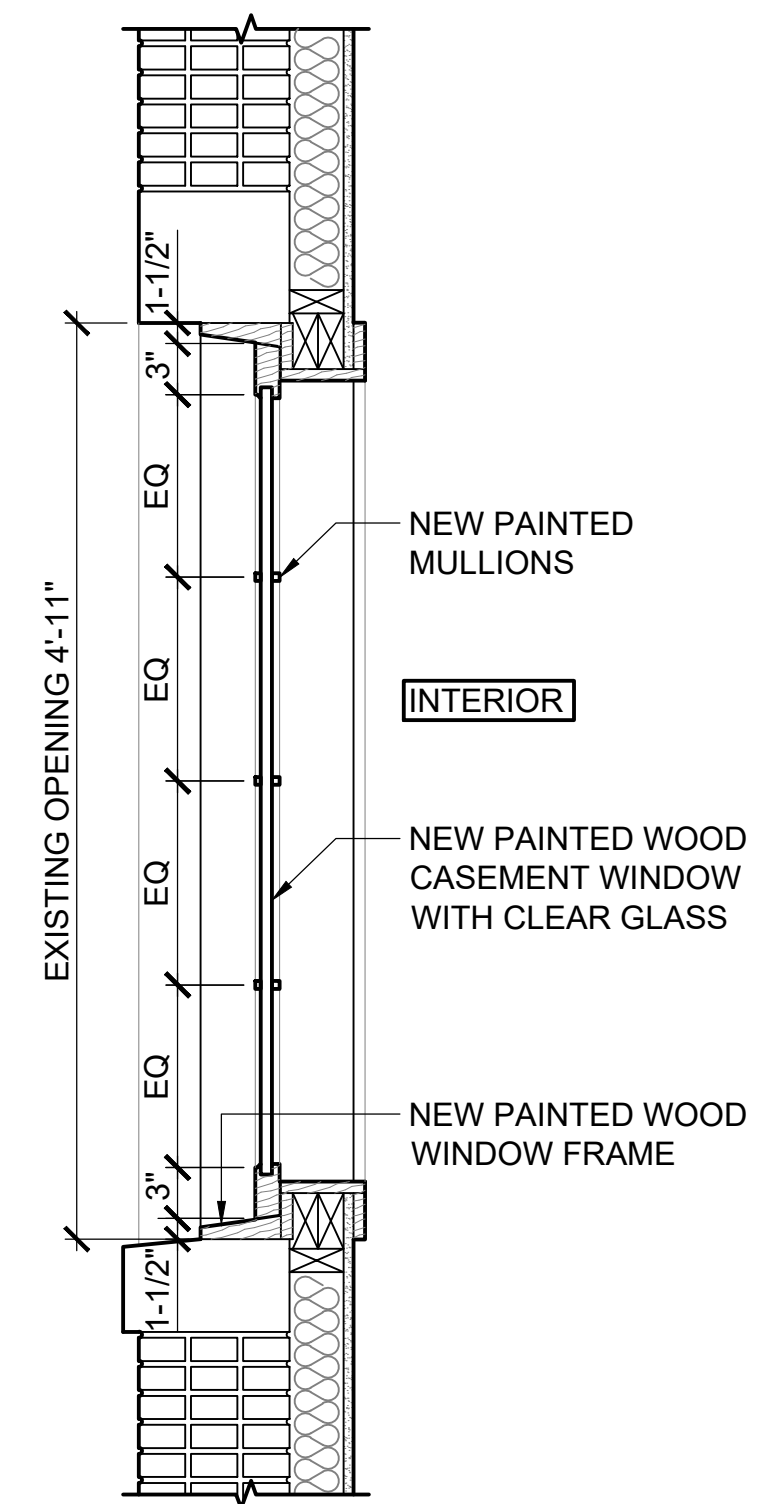




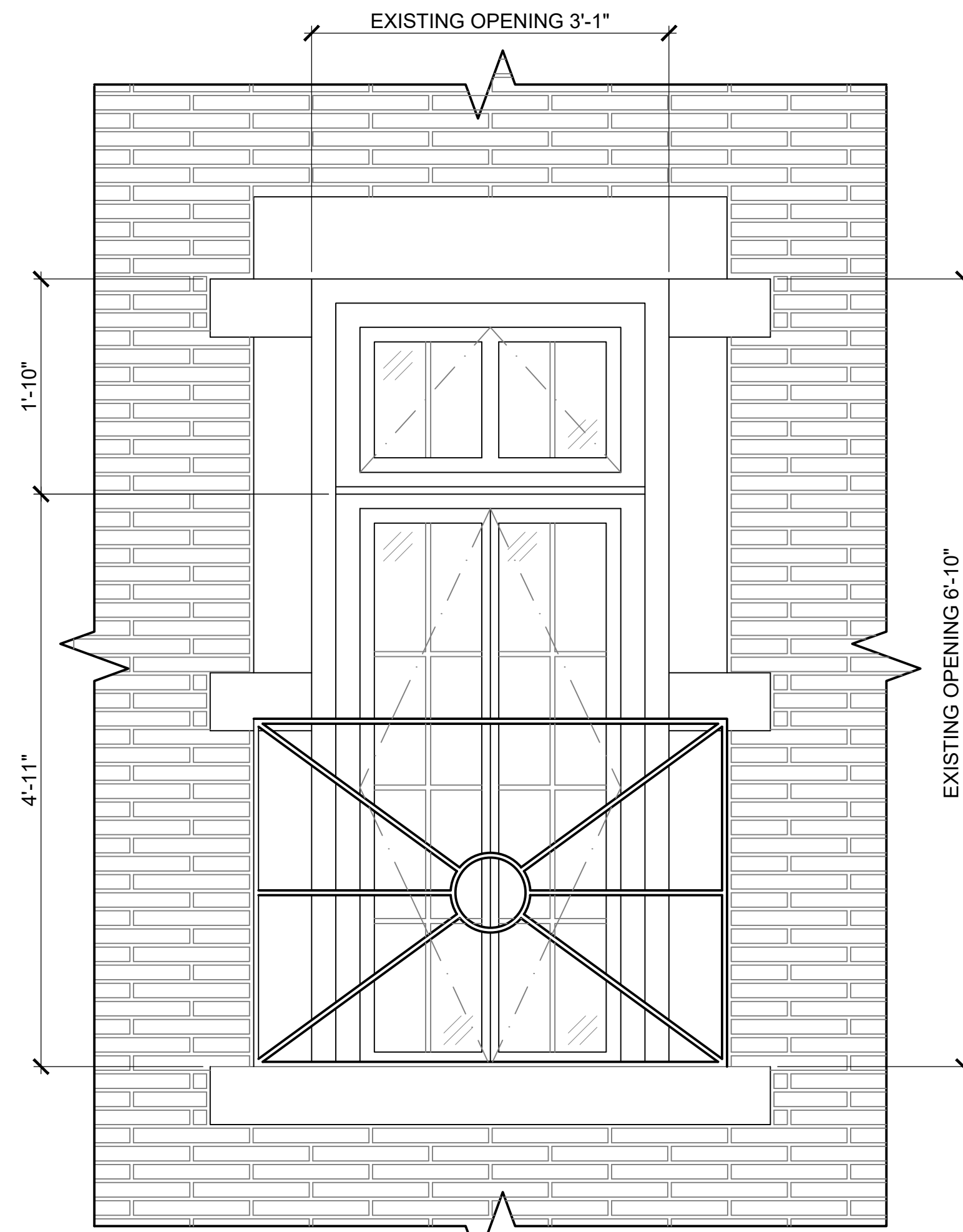
EXISTING DOUBLE-HUNG WINDOW



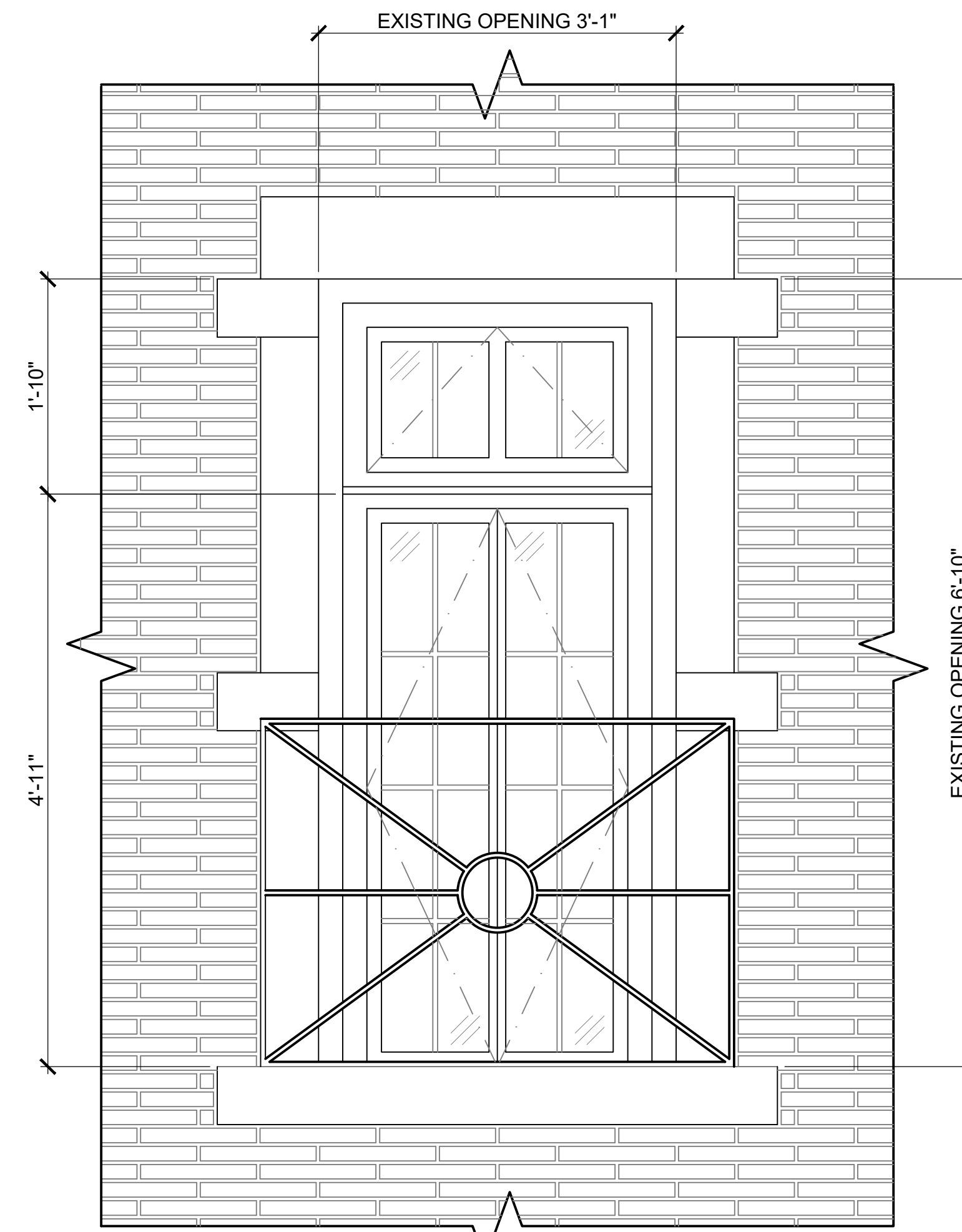
PROPOSED CASEMENT WINDOW



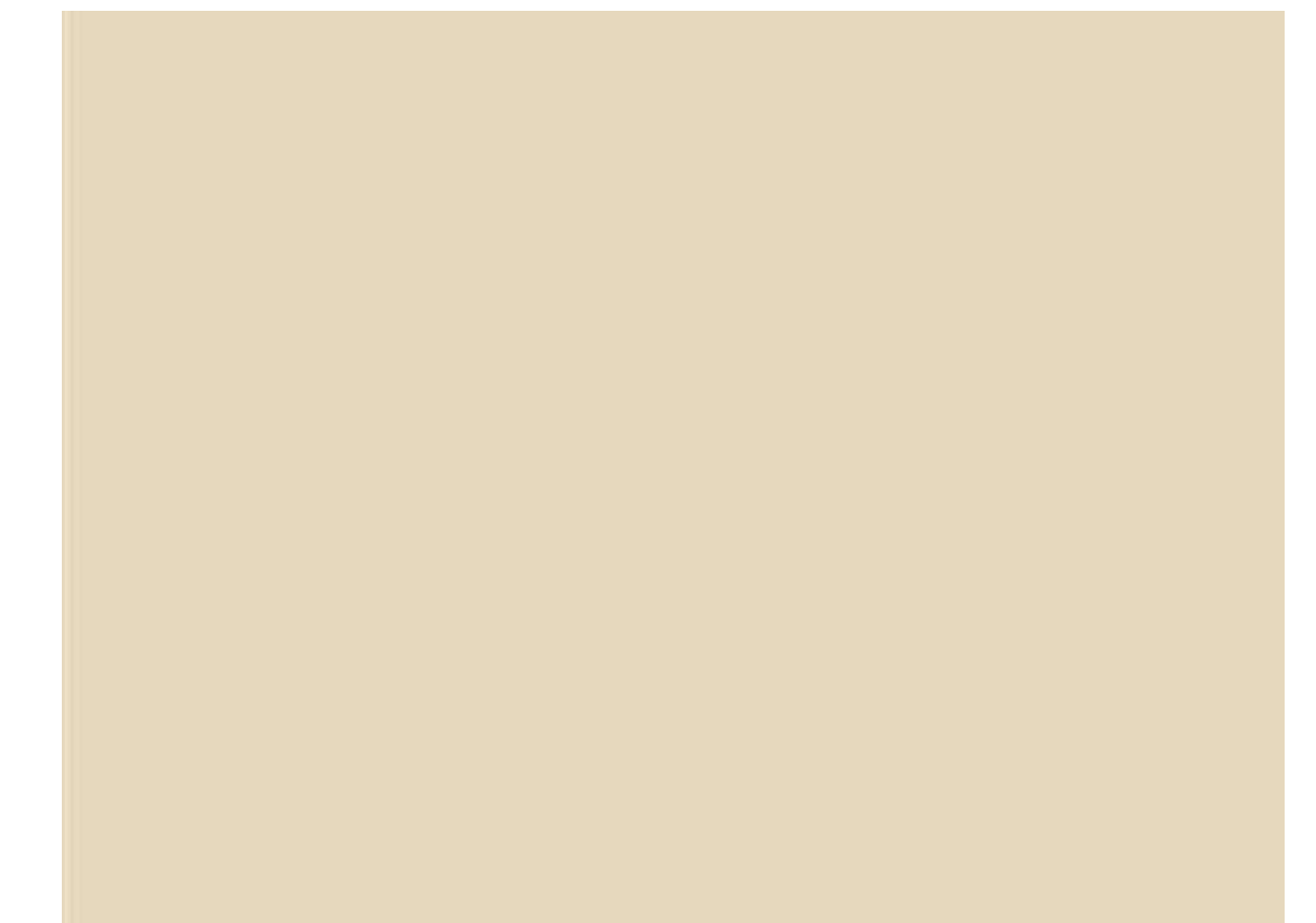
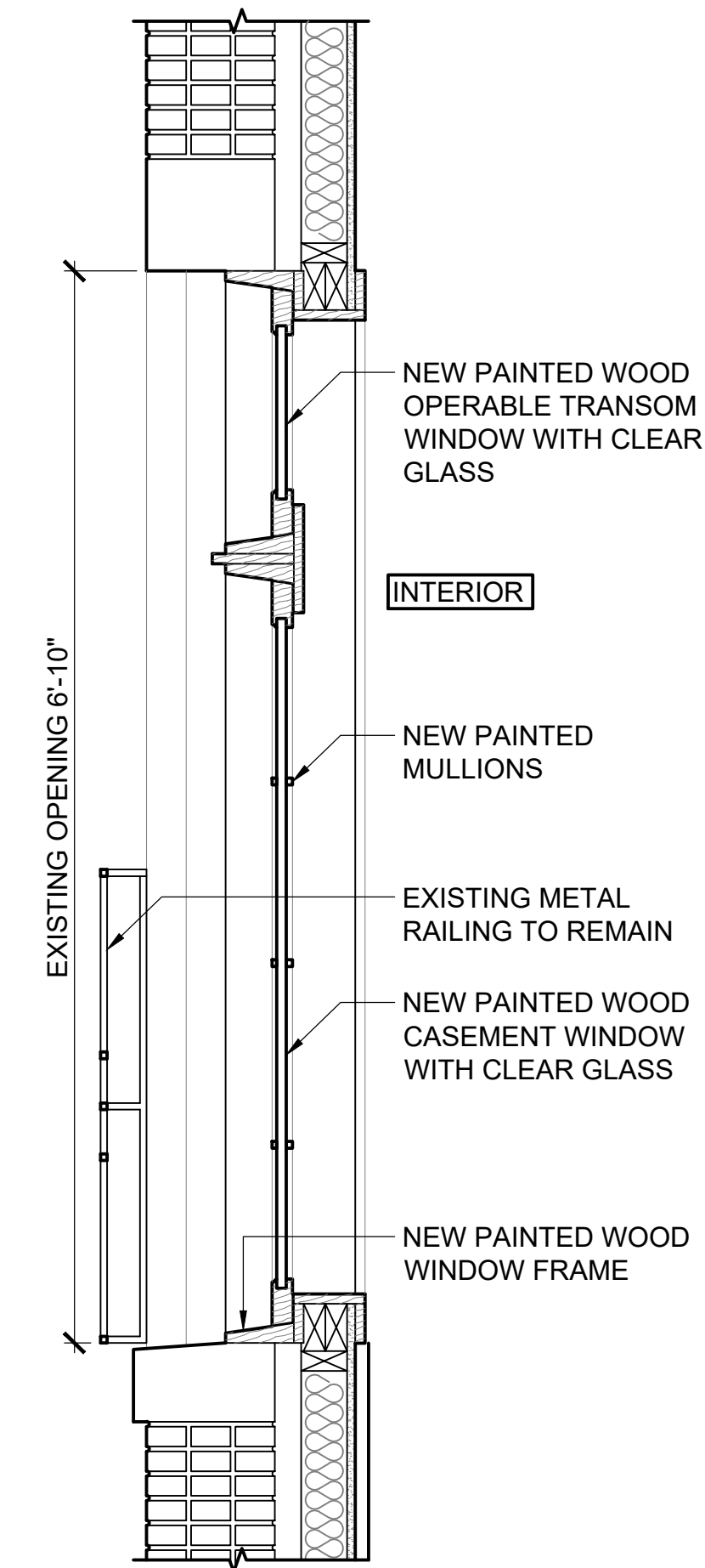
PROPOSED WINDOW FRAME
 MATERIAL: WOOD
 COLOR: BENJAMIN MOORE, GENTLE CREAM OC-96



EXISTING CASEMENT WINDOW



PROPOSED CASEMENT WINDOW



PROPOSED WINDOW FRAME
 MATERIAL: WOOD
 COLOR: BENJAMIN MOORE, GENTLE CREAM OC-96