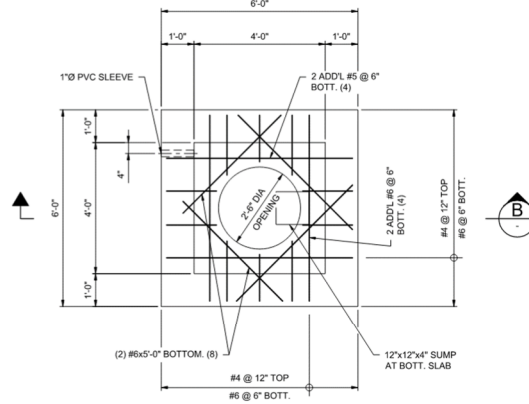
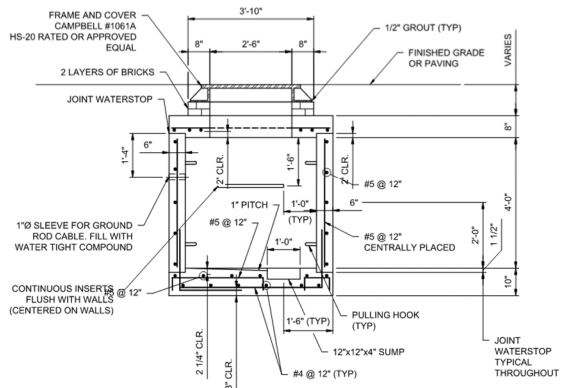


PLAN - TOP SLAB
SCALE: 1/2" = 1'-0"

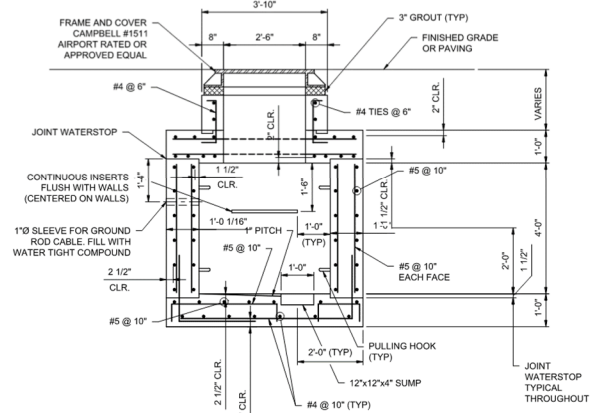


PLAN - TOP SLAB
SCALE: 1/2" = 1'-0"



SECTION A
SCALE: 1/2" = 1'-0"

HANDHOLE TYPE 1 - HS-20 RATED



SECTION B
SCALE: 1/2" = 1'-0"

HANDHOLE TYPE 2 - HEAVY DUTY / AIRCRAFT RATED

