

August 13, 2024
Public Hearing

The current proposal is:

Preservation Department – Item 3, LPC-25-00396

**125 Chambers Street, aka 95 West Broadway – Tribeca South
Historic District
Borough of Manhattan**

To testify virtually, please join Zoom

Webinar ID: 854 0834 7928

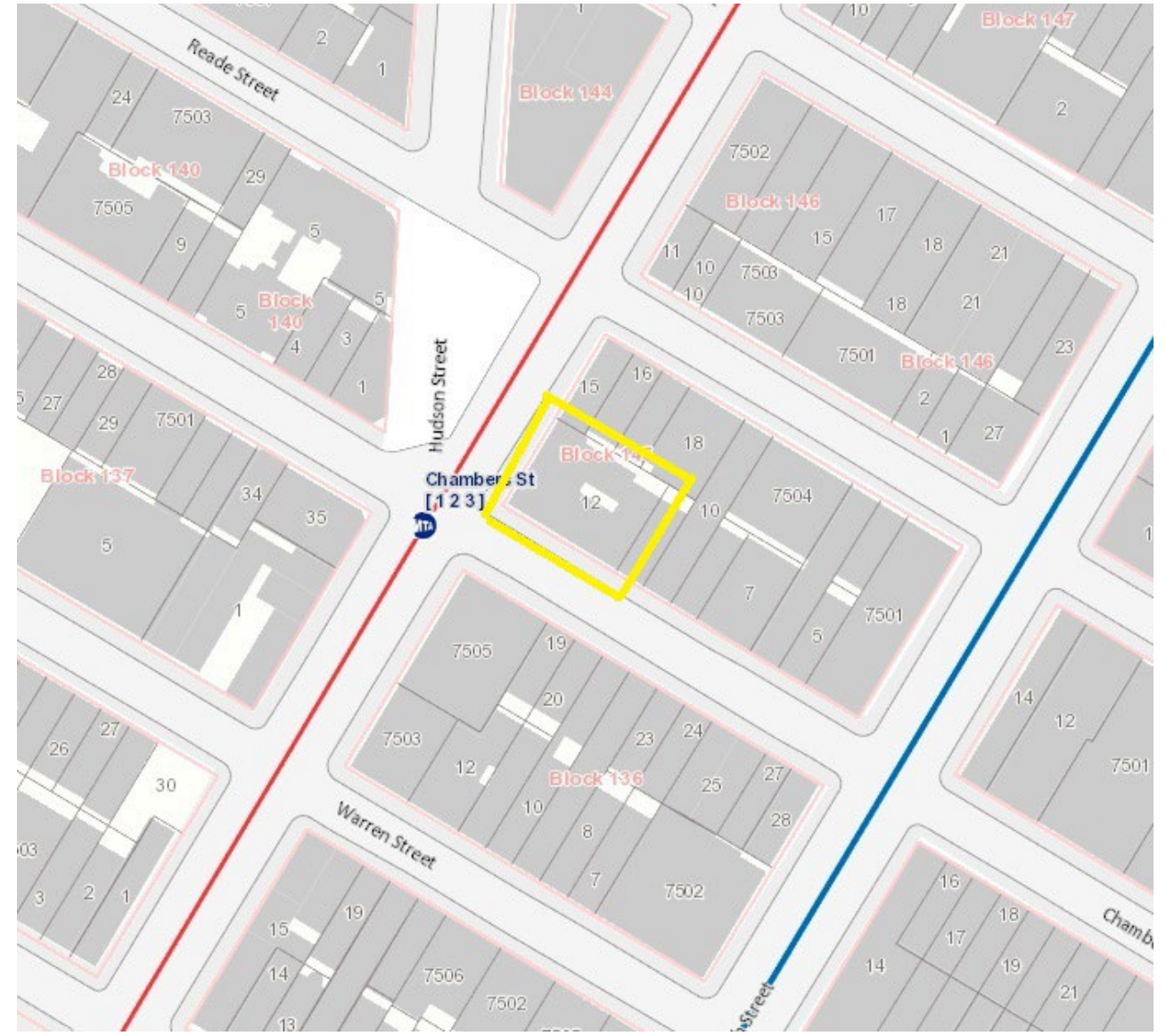
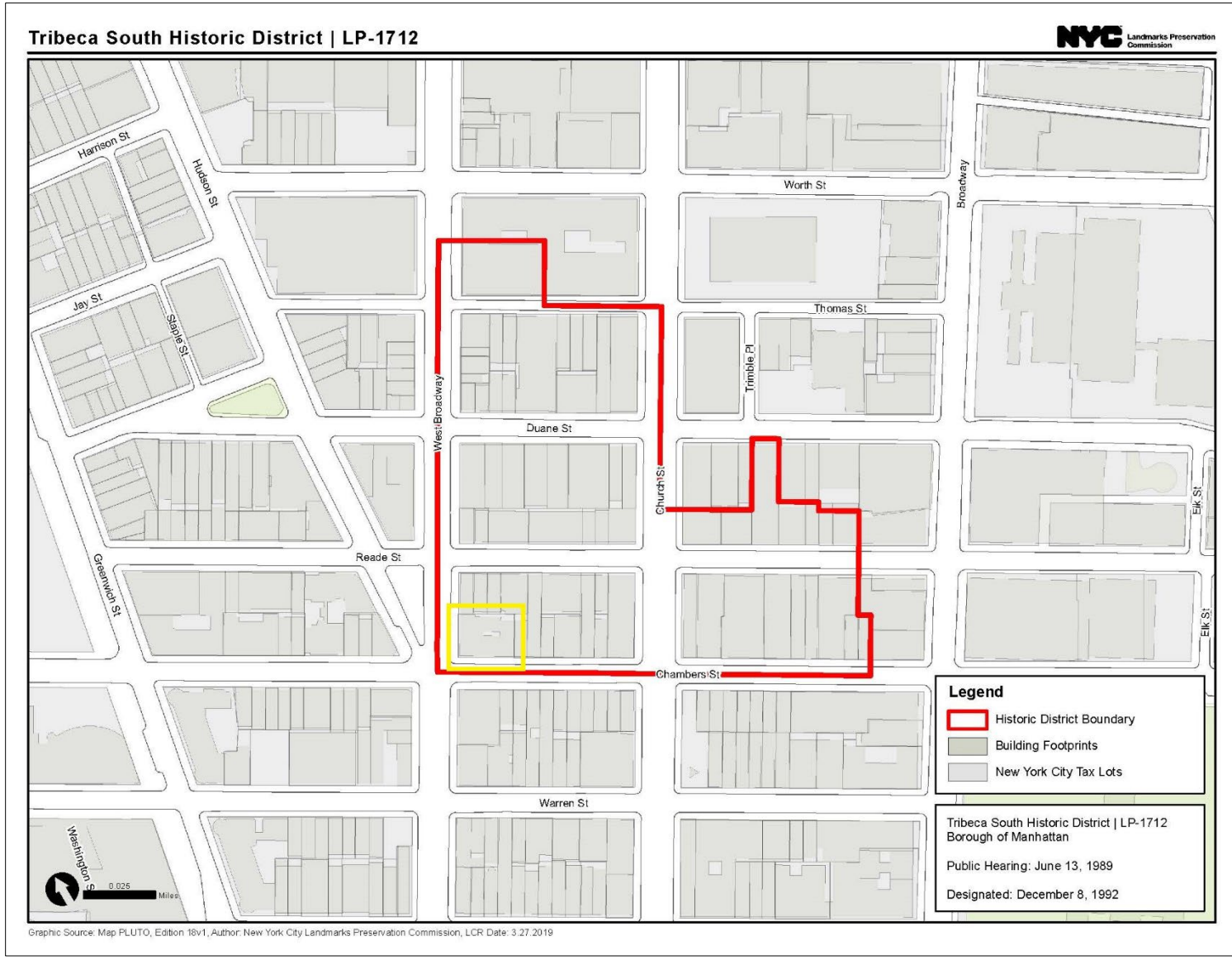
Passcode: 643937

By Phone: 646-558-8656 (NY)

877-853-5257 (Toll free) US

888-475-4499 (Toll free)

Note: If you want to testify virtually on an item, join the Zoom webinar at the agenda's "Be Here by" time (about an hour in advance). When the Chair indicates it's time to testify, "raise your hand" via the Zoom app if you want to speak (*9 on the phone). Those who signed up in advance will be called first.





125 CHAMBERS LOOKING NORTHEAST



125 CHAMBERS LOOKING SOUTHEAST

EXISTING CONDITIONS



125 CHAMBERS LOOKING NORTHEAST



FREDERICK HOTEL MARQUEE

EXISTING CONDITIONS
MINIMAL HOTEL SIGNAGE



125 Chambers Street Signage

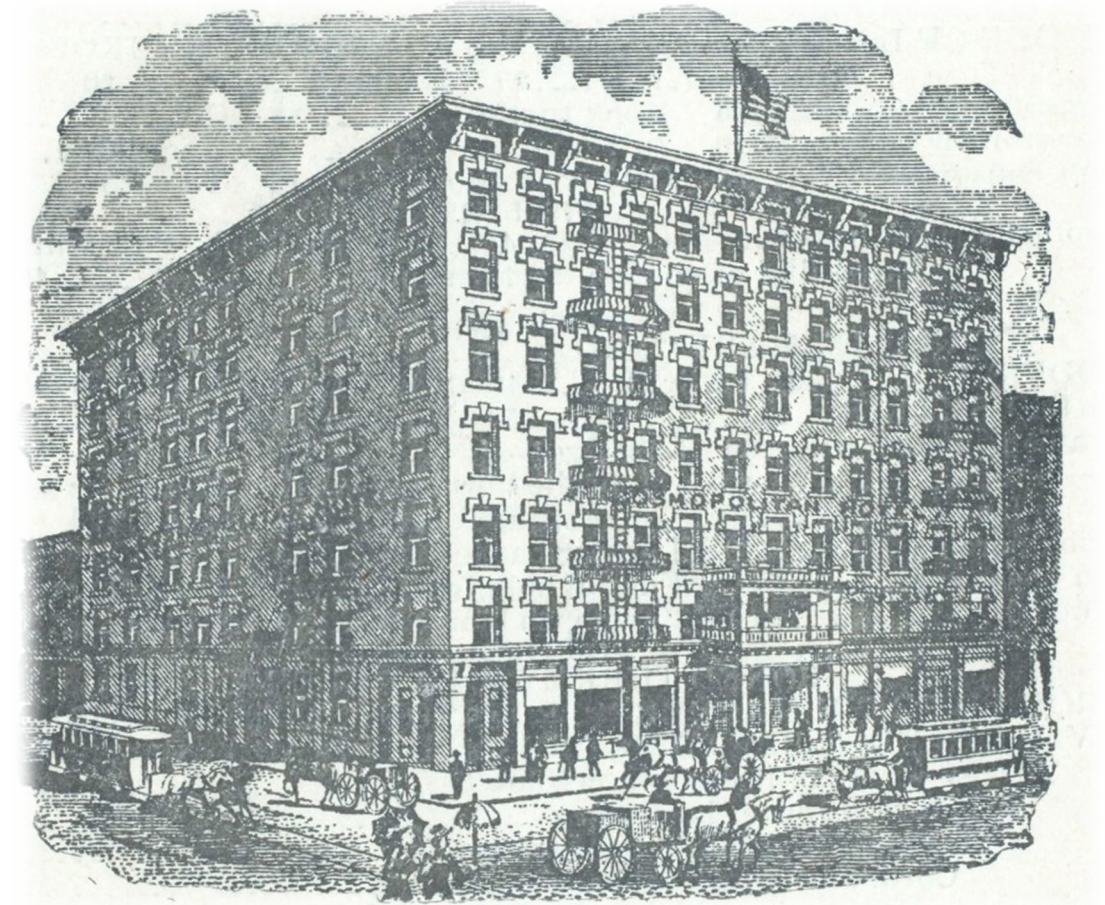


125 CHAMBERS NORTH FACADE
EXISTING CONDITIONS

7/31/2024 LPC 4



c1851, Girard House (MCNY)



1900 (NYPL)



c1910 (NYT)

125 Chambers Street Signage

HISTORIC CONDITIONS

7/31/2024 LPC 5



1931 (NYPL)



1936 (NYPL)



125 Chambers Street Signage

Across the Street
West Broadway & Reade, W/S
1914 (NYHS)

HISTORIC CONDITIONS

7/31/2024 LPC 6



1931 (NYPL)



1939 (NYHS)

125 Chambers Street Signage



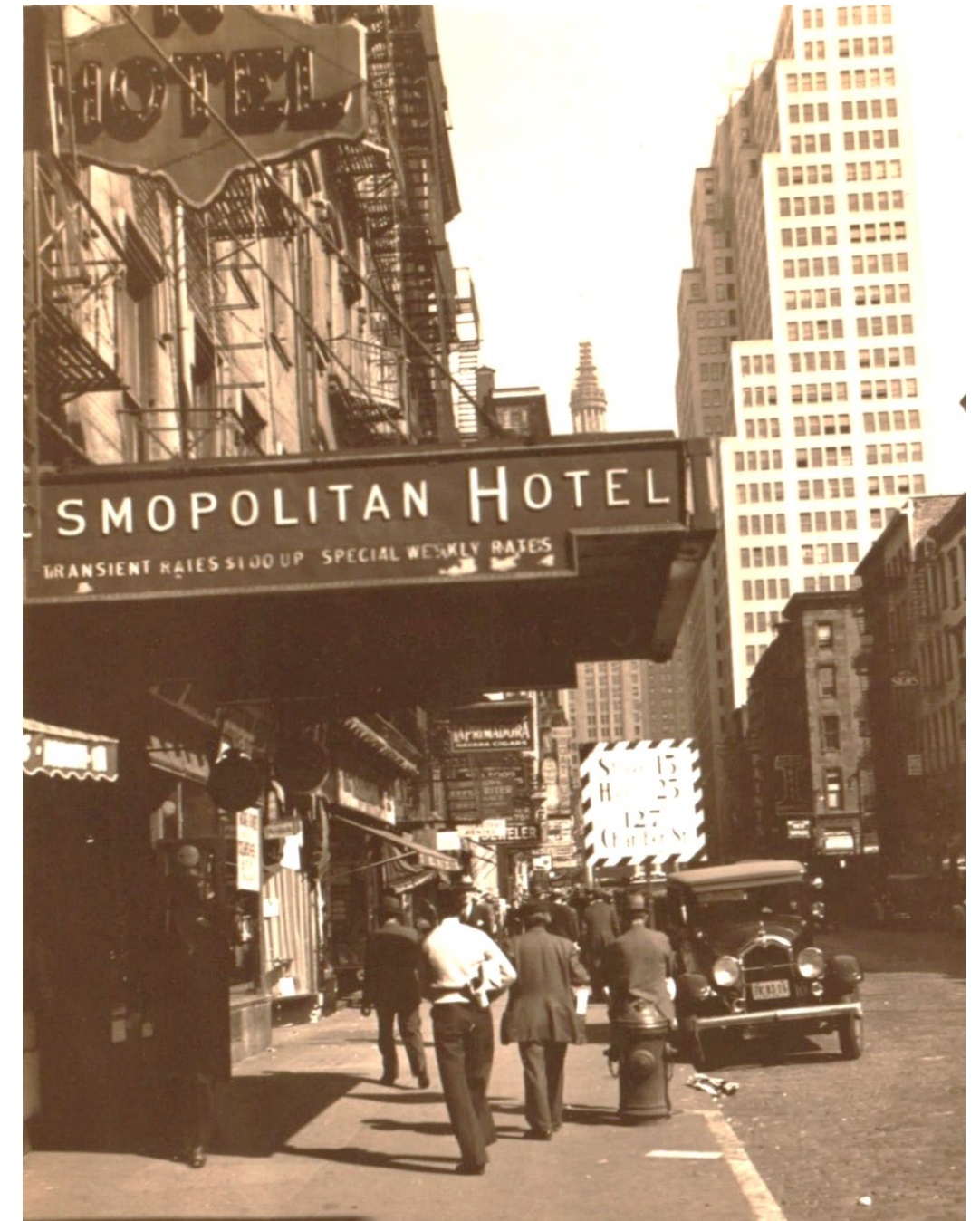
1939 (NYHS)

HISTORIC CONDITIONS

7/31/2024 LPC 7



c1940 (Municipal Archives)



1935 (NYPL)

HISTORIC CONDITIONS

125 Chambers Street Signage

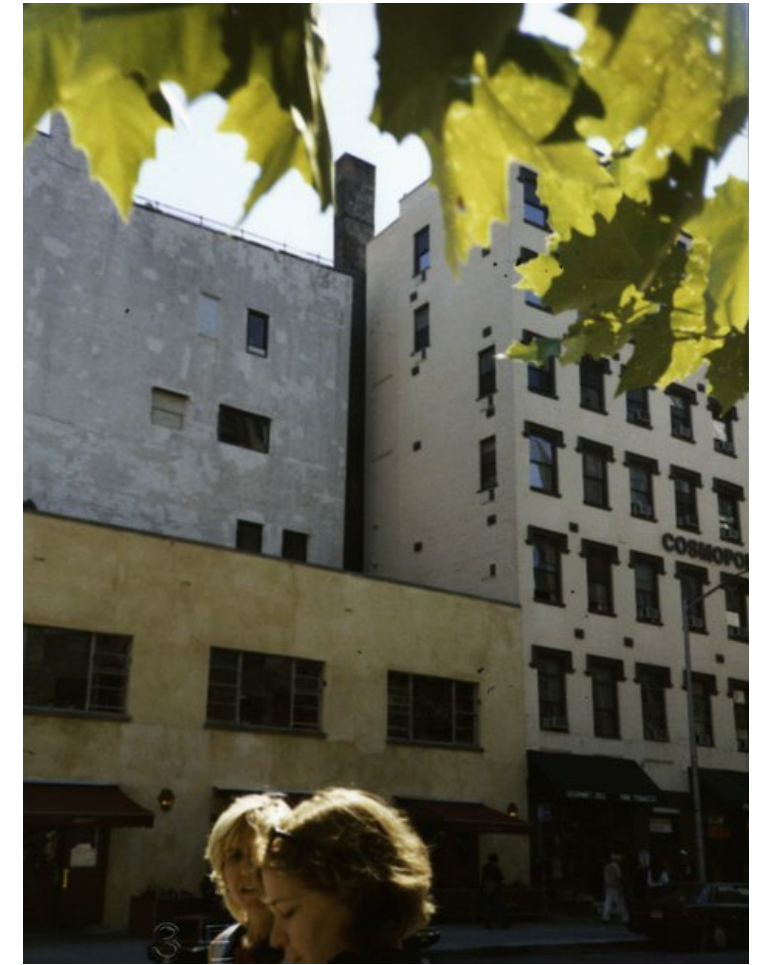
7/31/2024 LPC 8



c1989-1992 (LPC)



c1989-1992 (LPC)

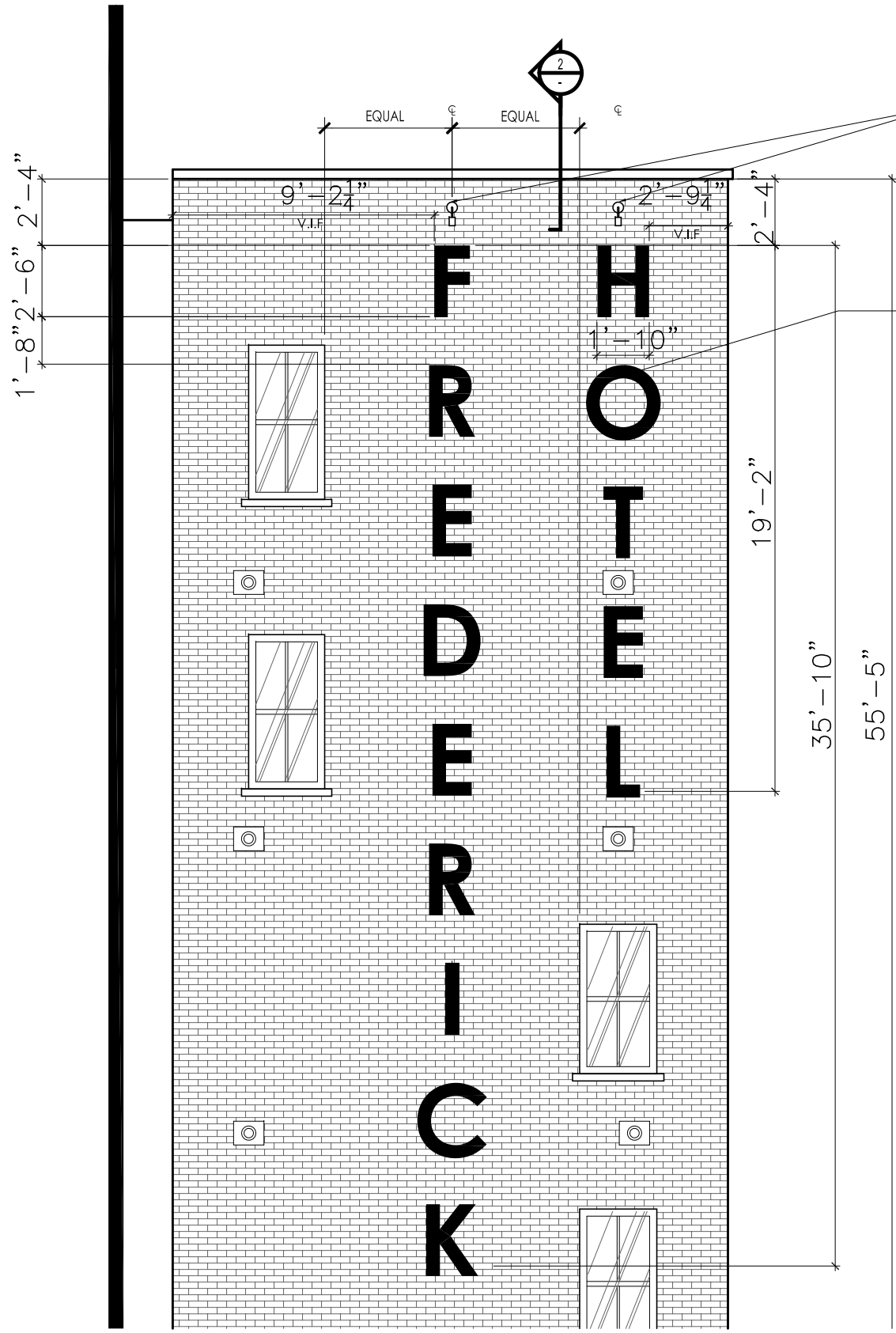


1999 (NYPL)

HISTORIC CONDITIONS



THE
FREDERICK HOTEL
EXTERIOR
SIGNAGE



TWO (2) X SINGLE LIGHT LED OUTDOOR WALL SCONCE WITH ADJUSTABLE HEAD

NOTE:
PAINTED BLACK LETTERS.
PAINTER TO VERIFY
DIMENSION OF WALL AND TIE
BACK DIMENSION.

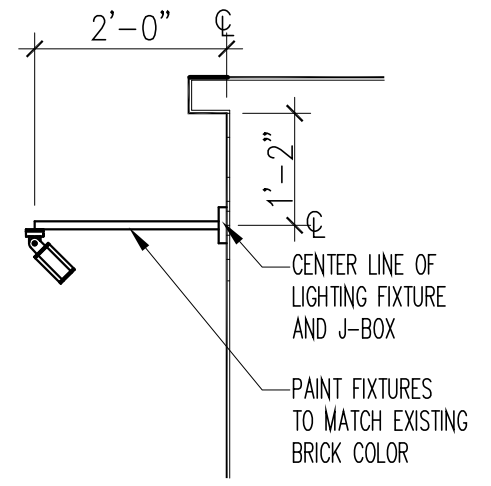
VERIFY AND CONFIRM
SPACING BETWEEN LETTERS
BASED ON FONT STYLE.

PROPOSED FONTS/LETTER
STYLE: PARALUCENT HEAVY
SIZE: 30"H x 21"W
(APPROX.)

VERIFY ALL EXISTING
DIMENSIONS IN FIELD.

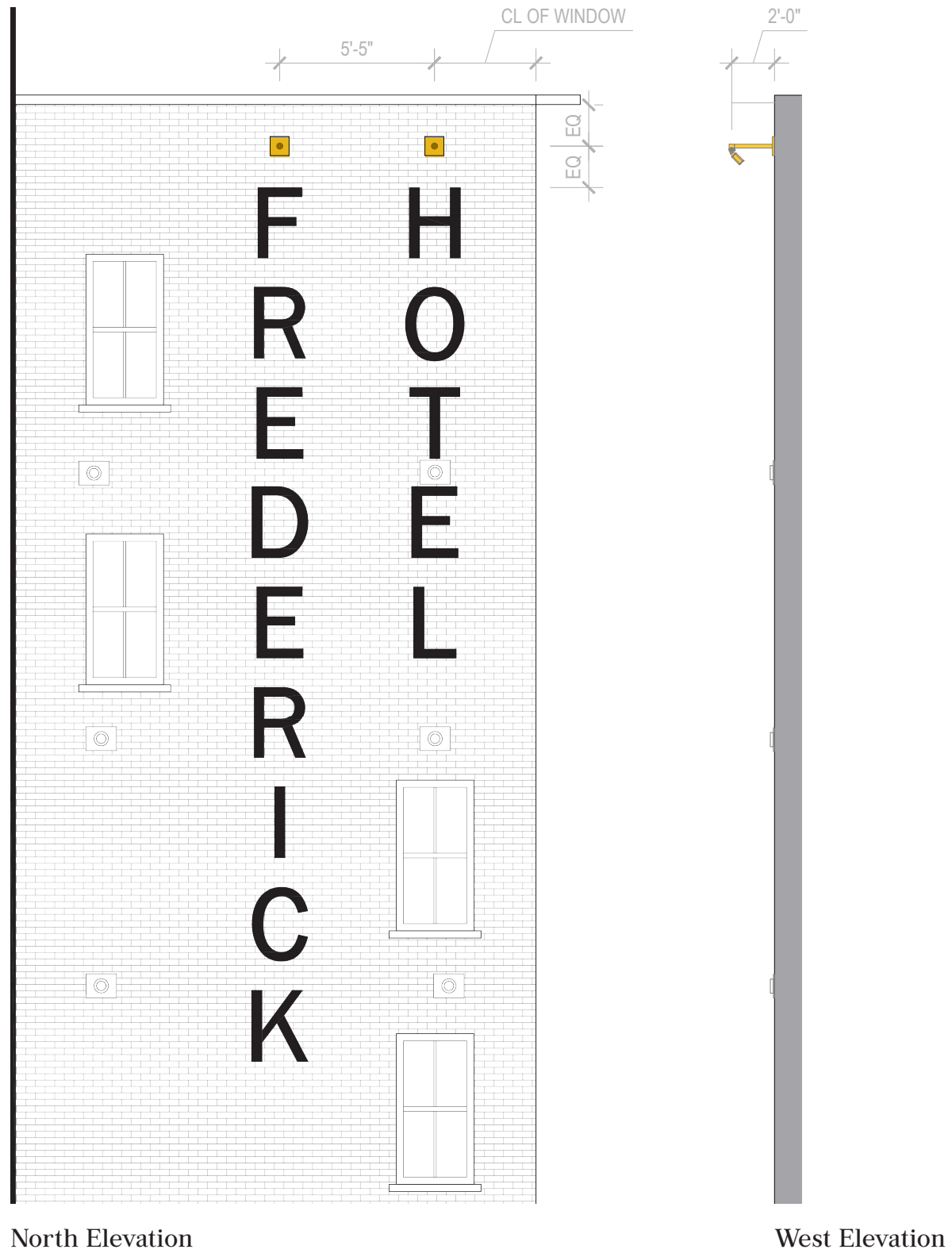
NOTE:
EXTERIOR WALL @ 1,081 SQ.FT.
PAINTED SIGNAGE @
APPROXIMATE. 50 SQ.FT

PROPOSED PAINTED SIGNAGE
@ 0.046% OF TOTAL WALL
SQ.FT



2 ENLARGED DETAIL
SCALE: 1/2" = 1'-0"

1 PROPOSED PAINTED SIGNAGE ELEVATION
SCALE: 3/16" = 1'-0"
125 Chambers Street Signage





Nighttime View



Hotel Wellington (1902)
871 7TH Ave



Hotel Lincoln Square (1922)
164-168 West 75th St.



Former Hotel Dixie, now Hotel Carter (1930)
250 W 43rd St, in 2023 and c1930-45



SIGNS ON HISTORIC HOTEL SECONDARY FACADES



New Yorker Hotel (1930)
481 8th Ave (Wikipedia)

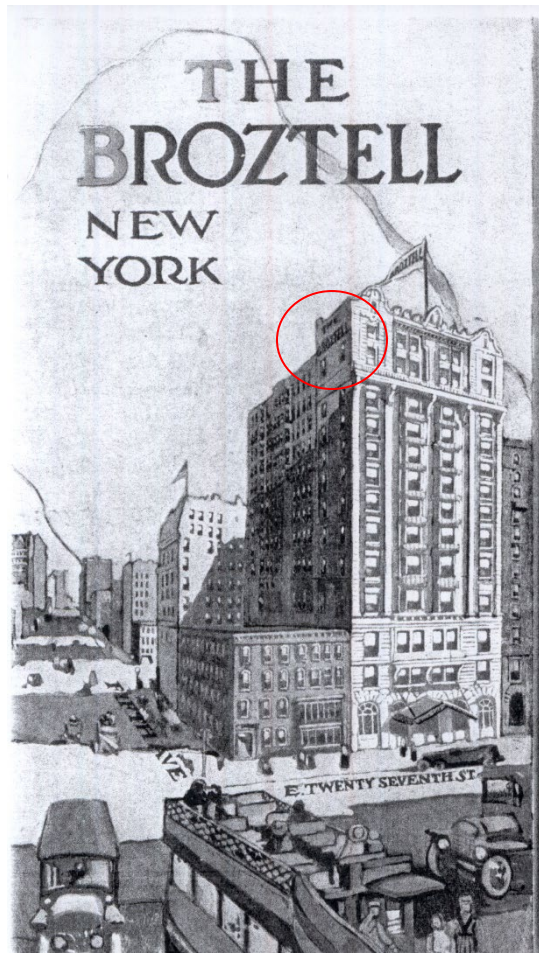


The Gerard (1893-94)
123 W 44th St



Paramount Hotel (1927-28)
235 W 46th St

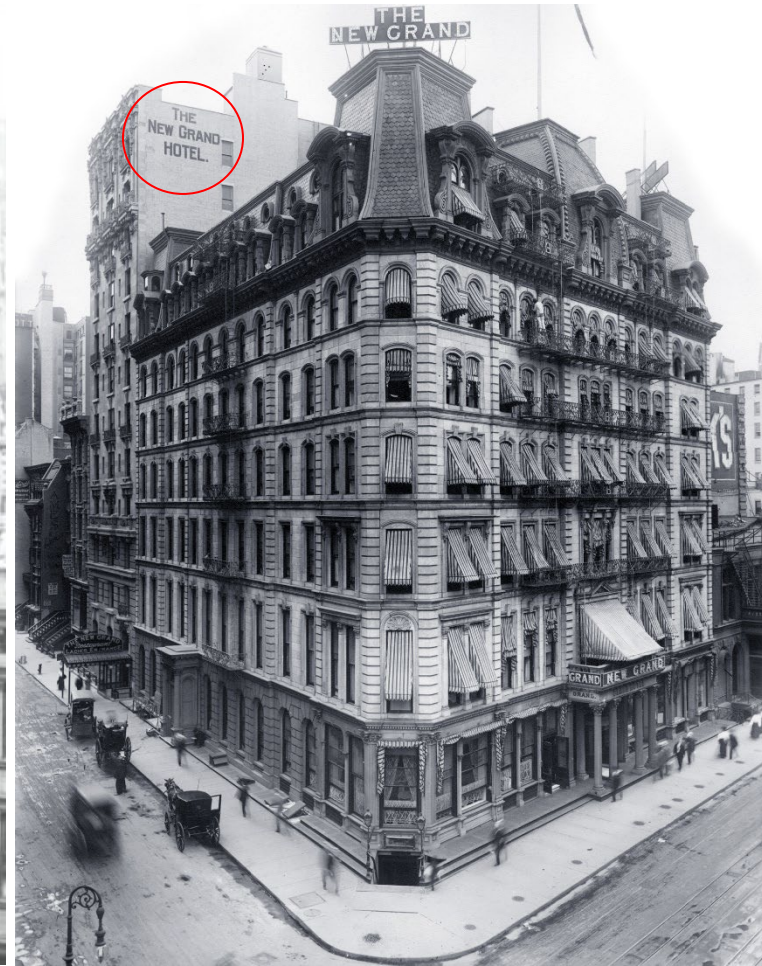
SIGNS ON HISTORIC HOTEL SECONDARY FACADES



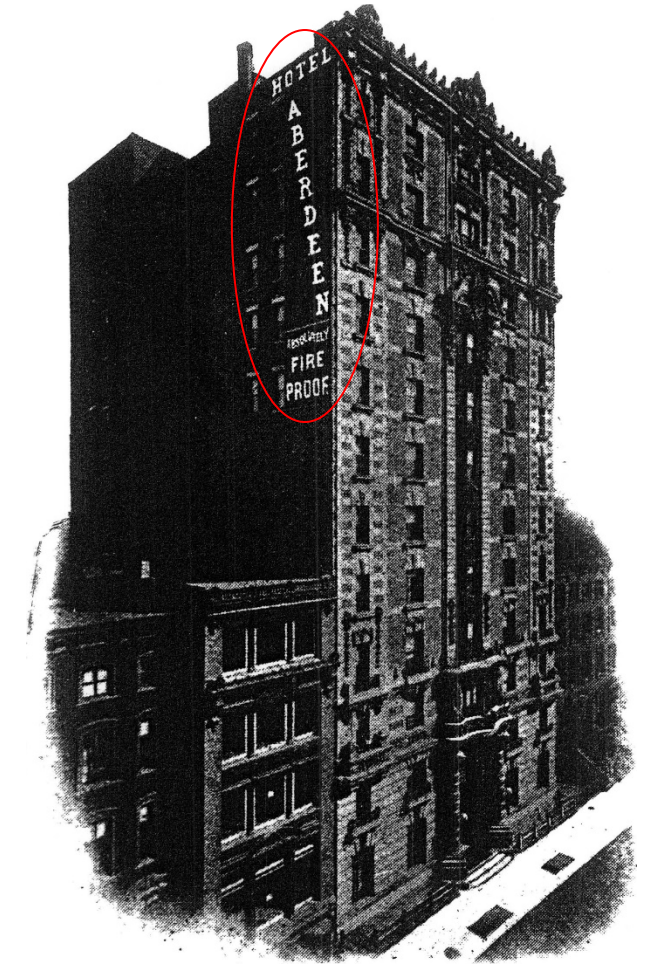
Broztell in c1905 (MCNY)



44th Street Hotel and Hotel Claridge in 1925 (NYHS)



Grand Hotel in 1904-13 (NYHS)



Aberdeen Hotel in 1905 (LPC)

SIGNS ON HISTORIC HOTEL SECONDARY FACADES

August 13, 2024
Public Hearing

The current proposal is:

Preservation Department – Item 3, LPC-25-00396

**125 Chambers Street, aka 95 West Broadway – Tribeca South
Historic District
Borough of Manhattan**

To testify virtually, please join Zoom

Webinar ID: 854 0834 7928

Passcode: 643937

By Phone: 646-558-8656 (NY)

877-853-5257 (Toll free) US

888-475-4499 (Toll free)

Note: If you want to testify virtually on an item, join the Zoom webinar at the agenda's "Be Here by" time (about an hour in advance). When the Chair indicates it's time to testify, "raise your hand" via the Zoom app if you want to speak (*9 on the phone). Those who signed up in advance will be called first.

APPENDIX

DATE	PROJECT	FIRM	TYPE
------	---------	------	------

RISE IS A SYSTEM OF BEAUTIFULLY DESIGNED OUTDOOR RATED LUMINAIRES THAT PROVIDE EFFICIENT AND POWERFUL LIGHT USING THE LATEST IN LED TECHNOLOGY. RISE F080 DUO IS A UNIQUE CONFIGURATION THAT PAIRS UP TWO RISE F080 SINGLES ALLOWING YOU TO DOUBLE YOUR LUMEN POWER, DELIVERING UP TO 2340 LUMENS. THIS UNIQUE FIXTURE CAN BE USED TO POWERFULLY LIGHT ONE OBJECT OR AIMED SEPARATELY, ALLOWING YOU TO ILLUMINATE MULTIPLE APPLICATIONS. THIS POWERFUL AND COMPACT LED LIGHT FIXTURE CAN BE USED IN SPOT, ACCENT, LANDSCAPE AND FLOODLIGHT APPLICATIONS. ITS UNIQUE MACRO[™] LOCK FEATURE ALLOWS FOR FULL 180 DEGREE TILT AND 360 DEGREE PAN AIMABILITY OF EACH FIXTURE HEAD USING ONLY ONE TWIST.

FEATURES:

- POWERFUL CBCP
- EXTREMELY COMPACT
- POWERFUL OUTPUT UP TO 2340 LUMENS
- MACRO[™] LOCK - 180° TILT AND 360° PAN
- 12 UNIQUE BEAM ANGLES
- MULTIVOLT (110V-277 V)
- 8 CCTS: 2200K THROUGH 6500K
- 80+ AND 90+ CRI
- DIMMABLE TO 5%
- IP66 RATED



FIXTURE MODEL	FIXTURE CONFIG.	POWER/LUMEN OUTPUT*	CCT/COLOR	CRI	BEAM ANGLE	FINISHES	ACCESSORIES	WIRING AND MOUNTING
F080	2V - 2 Heads, Vertical Orientation	LO - Low Output	22 - 2200K 25 - 2500K 27 - 2700K	8 - 80 9 - 90*	05 - Laser Spot (5°) 10 - Very Narrow Spot (10°) 15 - Narrow Spot (15°) 20 - Spot (20°) 40 - Flood (40°) 60 - Medium Flood (60°) 70 - Wide Flood (70°) 90 - Very Wide Flood (90°) E1 - Elliptical 1 (15°x60°) E2 - Elliptical 2 (30°x60°) E3 - Elliptical 3 (60°x15°) E4 - Elliptical 4 (60°x30°)	K - Black Z - Bronze S - Silver W - White C - Custom*	X - No Accessory H - Half Snoot F - Full Snoot	B - 10' External Cable Side Exit; Surface Mount; UL Listed
	2H - 2 Heads, Horizontal Orientation	MO - Medium Output HO - High Output	30 - 3000K 35 - 3500K 40 - 4000K 50 - 5000K 65 - 6500K RD - Red GR - Green BL - Blue AM - Amber	*90 CRI not available in 2200K, 2500K, 5000K, and 6500K	*Provide RAL #	Will ship as X if not specified	C* - 10' External Cable Bottom Exit; Surface Mount - 1/2" NPT; UL Listed D* - 10' External Cable Side Exit; Surface Mount; CE Listed E* - 10' External Cable Bottom Exit; Surface Mount - 1/2" NPT; CE Listed *Will Ship as C if not specified	

LOCATION OF FEED TO BE DETERMINED BY OTHERS

*SEE PHOTOMETARY CHART FOR LUMEN DATA

PERFORMANCE	WATTS		POWER		LUMEN OUTPUT		EFFICACY		CBCP	
	8	15	Low Output	Medium Output	5°	40°	5°	40°	5°	40°
	8	15	Low Output	Medium Output	618	858	76	107	43,982	1,410
	23	23	High Output	High Output	1,062	1,522	71	101	75,623	2,502
					1,488	2,280	65	97	105,982	3,748

ALL LUMEN DATA IS FROM 4000K 80CRI FIXTURES. PLEASE SEE PHOTOMETRY SPEC SHEET FOR ADDITIONAL LUMEN DATA.

COLOR RENDERING INDEX
COLOR CONSISTENCY
LUMEN DEPRECIATION

		3-STEP MACADAM ELLIPSE				
		WATTS	L70 @ 25C	L70 @ 50C	L90 @ 25C	L90 @ 50C
LOW	80+, 90+	>60,500*	>60,500*	>60,500*	>60,500*	>60,500*
	80+, 90+	>(109,000)**	>(109,000)**	>(109,000)**	>(109,000)**	>(109,000)**
	80+, 90+	>60,500*	>60,500*	>60,500*	>60,500*	>60,500*
MEDIUM	80+, 90+	>(109,000)**	>(109,000)**	>(109,000)**	>(109,000)**	>(109,000)**
	80+, 90+	>60,500*	>60,500*	>60,500*	>60,500*	>60,500*
HIGH	80+, 90+	>(181,000)*	>36,000*	>36,000*	>69,800**	>33,200*
	80+, 90+	>(181,000)*	>36,000*	>36,000*	>69,800**	>33,200*

* ENERGY STAR REPORTED TESTING HOURS TO DATE. CALCULATIONS FOR LED FIXTURES ARE BASED ON MEASUREMENTS THAT COMPLY WITH IES LM-80 TESTING PROCEDURES AND IES TM-21 CALCULATOR
** ESTIMATED HOURS

NOTE: Information on this Spec Sheet is subject to change, please visit ecosenselighting.com/downloads/raise for the most updated information.

ECOSENSE LIGHTING INC.
837 NORTH SPRING STREET
SUITE 103
LOS ANGELES, CA 90012

P • 310.496.6255
F • 310.496.6256
T • 855.632.6736
855.6.ECOSEN

SPECIFICATIONS SUBJECT TO CHANGE WITHOUT NOTICE. VISIT ECOSENSELIGHTING.COM FOR THE MOST CURRENT SPECIFICATIONS. FOR A LIST OF PATENTS VISIT ECOSENSELIGHTING.COM/IP-PORTFOLIO/
©2019 ECOSENSE LIGHTING INC. ALL RIGHTS RESERVED. ECOSENSE, THE ECOSENSE LOGO, TROV, TROV AND ECOSPEC ARE REGISTERED TRADEMARKS OF ECOSENSE LIGHTING INC.
RISE[™], SLIM COVE[™], FREEDOM TO CREATE[™], MACRO[™], FLIP-TO-FLAT[™] ARE TRADEMARKS OF ECOSENSE LIGHTING INC.

ECOSENSELIGHTING.COM

1/4

DATE	PROJECT	FIRM	TYPE
ELECTRICAL	WATTAGE POWER FACTOR THD OPERATING VOLTAGE DRIVER STARTUP TEMPERATURE OPERATING TEMPERATURE STORAGE TEMPERATURE SURGE PROTECTION	LOW OUTPUT = 8 W; MEDIUM OUTPUT = 15 W; HIGH OUTPUT = 23 W >0.9 for 120 V (HO, MO, LO), 230 V (HO, MO), 277 V (HO) <0.2 for 120 V (HO, MO, LO), 230 V (HO, MO), 277 V (HO) MULTIVOLT: 110-277VAC, 50/60 Hz INTEGRAL TO FIXTURE; DE-RATED POWER AND SYNCHRONOUS START-UP AT FULL BRIGHTNESS -40 °F TO 122 °F (-40 °C TO 50 °C) -40 °F TO 122 °F (-40 °C TO 50 °C) -40 °F TO 176 °F (-40 °C TO 80 °C) SURGE PROTECTION DEVICES WITH A MINIMUM DISCHARGE CURRENT RATING OF 20kA, THAT MEET UL1449, CSA C22.2 No. 269.1, AND IEC TR 62066, SHOULD BE INSTALLED ON EACH BRANCH CIRCUIT.	
CONTROL	DIMMING	110-277 VAC, ELV TYPE, REVERSE PHASE, TRAILING EDGE	
PHYSICAL	DIMENSIONS HOUSING/LENS WEIGHT ENVIRONMENT MOUNTING OPTIONS WIRING TOOLS WIND LOAD (EPA) CORROSION RESISTANT	SEE DIMENSION PAGES EXTRUDED ALUMINUM; UV STABILIZED POLYCARBONATE; STAINLESS STEEL FASTENERS 5.0 LBS / 2.26 KG OUTDOOR • UL CERTIFIED FOR WET LOCATIONS IP66 IMPACT RATED TO IK10 MEETS 3G ANSI C136.31 VIBRATION STANDARD FOR BRIDGE APPLICATIONS WHEN USED WITH SURFACE MOUNT PLATE (INCLUDED) OR WALL MOUNT ARMS (SOLD SEPERATLY) B - EXTERNAL CABLE SIDE EXIT; SURFACE MOUNT ; UL LISTED SURFACE MOUNT PLATE INCLUDED C - EXTERNAL CABLE BOTTOM EXIT; 1/2" NPT; UL LISTED SURFACE MOUNT PLATE INCLUDED D - EXTERNAL CABLE SIDE EXIT; SURFACE MOUNT ; CE LISTED SURFACE MOUNT PLATE INCLUDED E - EXTERNAL CABLE BOTTOM EXIT; SURFACE MOUNT : CE LISTED SURFACE MOUNT PLATE INCLUDED LENGTH OF EXTERIOR CABLE 10' (3.05 m) 2.5 mm HEX KEY AND PHILLIPS #0 SCREWDRIVER FOR INTERCHANGEABLE LENS + SNOOTS 4 mm HEX KEY FOR AIMING 5 mm HEX KEY FOR MAIN TILT ARM EFFECTIVE PROJECTED AREA 2H=0.24 ft ² ; 2V=0.39 ft ² RISE HAS A HIGH-PERFORMING, CORROSION-RESISTANT FINISH THAT USES HIGH DURABILITY TRIGLYCIDYL ISOCYANURATE (TGIC) POWDER COATINGS SPECIFICALLY DESIGNED FOR NATATORIUMS AND EXTERIOR WEATHER EXPOSURE. THIS FINISH HAS BEEN TESTED AND APPROVED TO MARINE GRADE CORROSION RESISTANCE STANDARD IN UL1598A, ASTM B117 SALT FOG TEST FOR 200 HOURS.	

FIXTURE RATING & CERTIFICATIONS CE, UL CERTIFIED
RoHS COMPLIANT, IK10



LIMITED WARRANTY 5 YEARS

0-10V CONTROL OPTIONS

100-120 VAC / 277 VAC Linear Dimming Control Module 0-10 V - Plenum Rated LDCM-PL-120-277-010V-GR

All products come standard with ELV dimming capabilities. 0-10 V Control options required for operation at 0-10 V.

OPTIONAL ACCESSORIES

Snoots
 Full Snoot, Color Finish (K=Black, Z=Bronze, S=Silver, W=White, C=Custom) F080-F-(K,Z,S,W,C)
 Half Multi-Fixture Snoot, Color Finish (K=Black, Z=Bronze, S=Silver, W=White, C=Custom) F080-HM-(K,Z,S,W,C)

Interchangeable Lens

If inner optic = 5°,
Desired angle **Order the following spread lens**
 5 Degree F080-LENS-05
 10 Degree F080-LENS-10
 15 Degree F080-LENS-15
 20 Degree F080-LENS-20
 40 Degree F080-LENS-40
 60 Degree F080-LENS-60
 80 Degree F080-LENS-80
 15x60 or 60x15 Degree F080-LENS-E1E3
 30x60 or 60x30 Degree F080-LENS-E2E4
 Full Set of Beam Angle Lens Degree (5, 10, 15, 20, 40, 60, 80, 15X60 or 60X15, 30X60 or 60X30) F080-LENS-FULLSET

NOTE: Information on this Spec Sheet is subject to change, please visit ecosenselighting.com/downloads/raise for the most updated information.

ECOSENSE LIGHTING INC.
 837 NORTH SPRING STREET
 SUITE 103
 LOS ANGELES, CA 90012

P • 310.496.6255
F • 310.496.6256
T • 855.632.6736
 855.6.ECOSEN

SPECIFICATIONS SUBJECT TO CHANGE WITHOUT NOTICE. VISIT ECOSENSELIGHTING.COM FOR THE MOST CURRENT SPECIFICATIONS. FOR A LIST OF PATENTS VISIT ECOSENSELIGHTING.COM/IP-PORTFOLIO/
 ©2019 ECOSENSE LIGHTING INC. ALL RIGHTS RESERVED. ECOSENSE, THE ECOSENSE LOGO, TROY, TROY AND ECOSPEC ARE REGISTERED TRADEMARKS OF ECOSENSE LIGHTING INC.
 RISE™, SLIM COVE™, FREEDOM TO CREATE™, MACRO™, FLIP-TO-FLAT™ ARE TRADEMARKS OF ECOSENSE LIGHTING INC.

ECOSENSELIGHTING.COM

2/4

DATE	PROJECT	FIRM	TYPE
------	---------	------	------

If inner optic = 40°,

Desired angle	Order the following spread lens
5 Degree	NOT SUPPORTED
10 Degree	NOT SUPPORTED
15 Degree	NOT SUPPORTED
20 Degree	NOT SUPPORTED
40 Degree	F080-LENS-10
60 Degree	F080-LENS-40
70 Degree	F080-LENS-60
90 Degree	F080-LENS-80
15x60 or 60x15 Degree	NOT SUPPORTED
30x60 or 60x30 Degree	NOT SUPPORTED
Full Set of Beam Angle Lens Degree (5, 10, 15, 20, 40, 60, 80, 15X60 or 60X15, 30X60 or 60X30)	F080-LENS-FULLSET

Honeycomb Louver	
Honeycomb Louver F080.....	F080-LV-HComb

Canopy Plate (Not for use with Option B or D - External Cable Side Exit)	
RISE Canopy Plate (K=Black, Z=Bronze, S=Silver, W=White, C=Custom)	RISE-CANOPY-04-(K,Z,S,W,C)

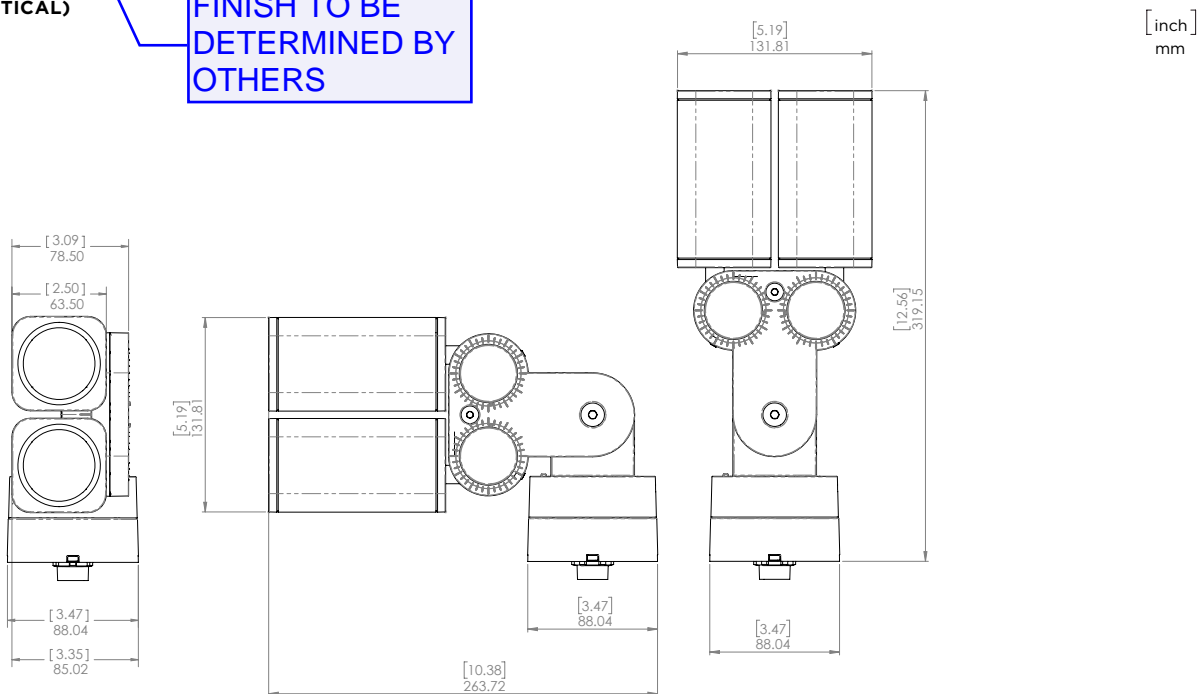
Color Filters	
Red	F080-FILTER-RED
Blue	F080-FILTER-BLUE
Green	F080-FILTER-GREEN
Amber	F080-FILTER-AMBER

F080 Multi-Fixture (DUO, QUAD) Wall Mount Arm (for use only with Wiring Option C - External Cable Bottom Exit)	
Wall Mount Arm, 6 inch, Color Finish (K=Black, Z=Bronze, S=Silver, W=White, C=Custom)	F170-WMA-06-(K,Z,S,W,C)
Wall Mount Arm, 12 inch, Color Finish (K=Black, Z=Bronze, S=Silver, W=White, C=Custom)	F170-WMA-12-(K,Z,S,W,C)
Wall Mount Arm, 18 inch, Color Finish (K=Black, Z=Bronze, S=Silver, W=White, C=Custom)	F170-WMA-18-(K,Z,S,W,C)
Wall Mount Arm, 24 inch, Color Finish (K=Black, Z=Bronze, S=Silver, W=White, C=Custom)	F170-WMA-24-(K,Z,S,W,C)

Ground Stake (for use only with Wiring Option C - External Cable Bottom Exit)	
Landscape Stake, 12 in	F170-LS-1S-STK-12

DIMENSIONS - F080 2V (VERTICAL)

FINISH TO BE DETERMINED BY OTHERS

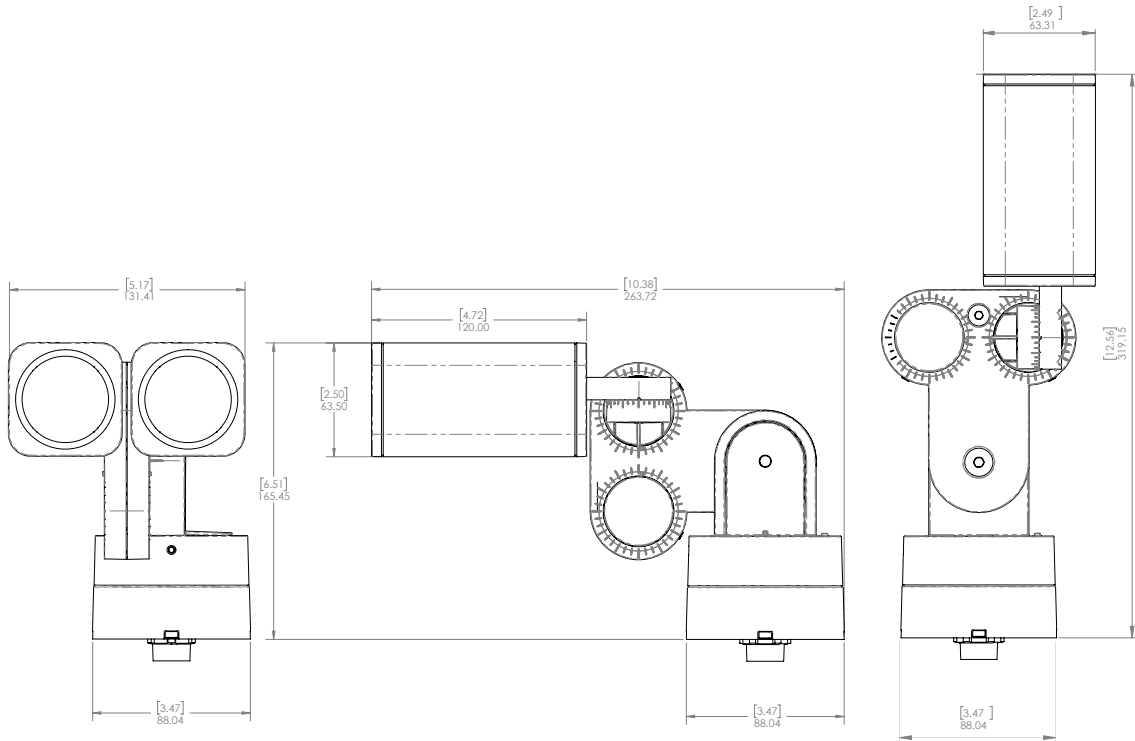


NOTE: Information on this Spec Sheet is subject to change, please visit ecosenselighting.com/downloads/raise for the most updated information.

DATE	PROJECT	FIRM	TYPE
------	---------	------	------

DIMENSIONS - F080 2H (HORIZONTAL)

[inch]
mm



NOTE: Information on this Spec Sheet is subject to change, please visit ecosenselighting.com/downloads/raise for the most updated information.

ECOSENSE LIGHTING INC.
837 NORTH SPRING STREET
SUITE 103
LOS ANGELES, CA 90012

P • 310.496.6255
F • 310.496.6256
T • 855.632.6736
855.6.ECOSEN

SPECIFICATIONS SUBJECT TO CHANGE WITHOUT NOTICE. VISIT [ECOSENSELIGHTING.COM](https://ecosenselighting.com) FOR THE MOST CURRENT SPECIFICATIONS. FOR A LIST OF PATENTS VISIT [ECOSENSELIGHTING.COM/IP-PORTFOLIO](https://ecosenselighting.com/ip-portfolio).
©2019 ECOSENSE LIGHTING INC. ALL RIGHTS RESERVED. ECOSENSE, THE ECOSENSE LOGO, TROY, TROY AND ECOSPEC ARE REGISTERED TRADEMARKS OF ECOSENSE LIGHTING INC.
RISE™, SLIM COVE™, FREEDOM TO CREATE™, MACRO™, FLIP-TO-FLAT™ ARE TRADEMARKS OF ECOSENSE LIGHTING INC.

ECOSENSELIGHTING.COM

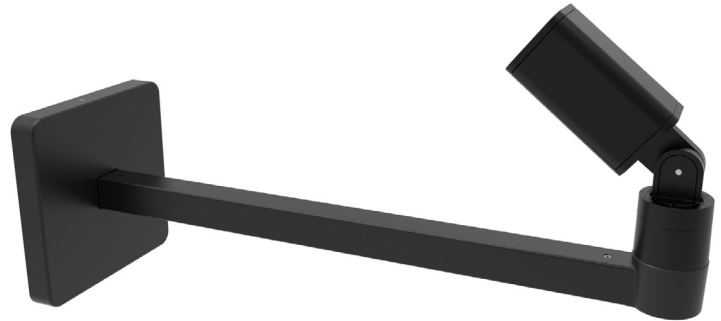
4/4

DATE	PROJECT	FIRM	TYPE
------	---------	------	------

RISE F080 WALL MOUNT ARM IS ROBUST AND POWERFUL 3G RATED MOUNTING ARM, USED TO MOUNT THE RISE F080 FIXTURE A CERTAIN DISTANCE AWAY FROM A WALL OR SURFACE.

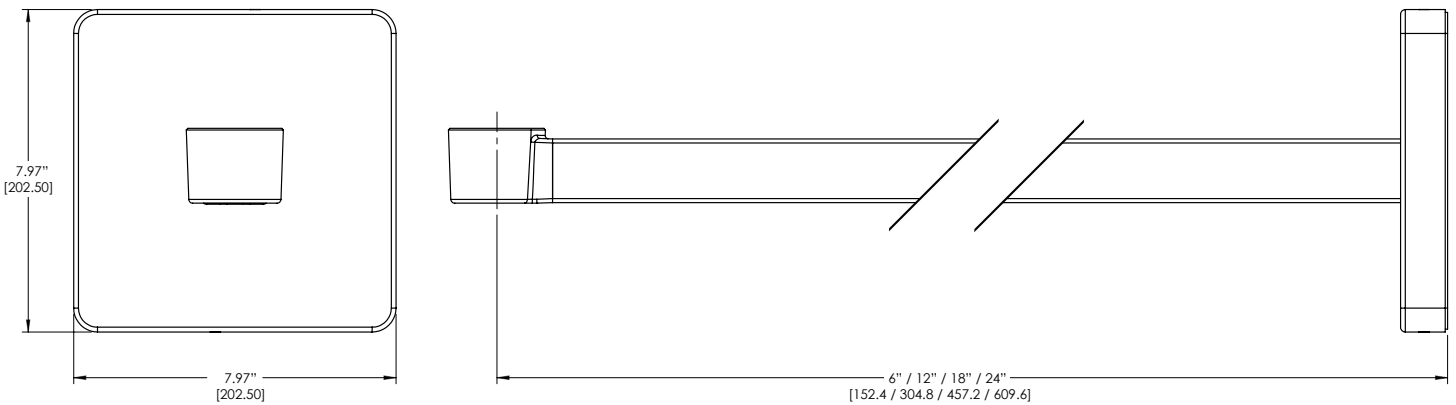
FEATURES :

- COMPATIBLE WITH RISE F080 EC BOTTOM MOUNTING OPTION ONLY
- AVAILABLE IN 6", 12", 18" AND 24" LENGTHS
- MOUNTS TO SURFACE, NOT DIRECTLY ONTO JUNCTION BOX
- 3G RATED
- STAINLESS STEEL & ALUMINUM PARTS POWDER COATED
- AVAILABLE IN BLACK, WHITE, BRONZE, AND SILVER; CUSTOM COLORS ARE ALSO AVAILABLE.
- NO VISIBLE MOUNTING HARDWARE OR LEADER CABLE
- RISE F080 FIXTURE MOUNTS TO THE END CAP AND CAN BE AIMED UP, DOWN OR TO THE SIDE



PHYSICAL	DIMENSIONS	W 7.97" x H 7.97" x L 6", 12", 18", 24": (202.5mm x 202.5mm x 152.4, 304.8, 457.2, 609.6mm) APPROX
----------	------------	--

RISE F080 WALL MOUNT ARM



ORDERING

PART NUMBER	DESCRIPTION
F080-WMA-06-(K,Z,S,W,C)	RISE F080 WALL/SURFACE MOUNT ARM, 6 INCH, COLOR FINISH (K=Black, Z=Bronze, S=Silver, W=White, C=Custom)
F080-WMA-12-(K,Z,S,W,C)	RISE F080 WALL/SURFACE MOUNT ARM, 12 INCH, COLOR FINISH (K=Black, Z=Bronze, S=Silver, W=White, C=Custom)
F080-WMA-18-(K,Z,S,W,C)	RISE F080 WALL/SURFACE MOUNT ARM, 18 INCH, COLOR FINISH (K=Black, Z=Bronze, S=Silver, W=White, C=Custom)
F080-WMA-24-(K,Z,S,W,C)	RISE F080 WALL/SURFACE MOUNT ARM, 24 INCH, COLOR FINISH (K=Black, Z=Bronze, S=Silver, W=White, C=Custom)

LIMITED WARRANTY 5 YEARS

ECOSENSE LIGHTING INC.
837 NORTH SPRING STREET
SUITE 103
LOS ANGELES CA, 90012

P • 310.496.6255
F • 310.496.6256
T • 855.632.6736
855.6.ECOSEN

SPECIFICATIONS SUBJECT TO CHANGE WITHOUT NOTICE. VISIT ECOSENSELIGHTING.COM FOR THE MOST CURRENT SPECIFICATIONS.
© 2019 ECOSENSE LIGHTING INC. ALL RIGHTS RESERVED. ECOSENSE, THE ECOSENSE LOGO, TROV AND ECOSPEC ARE REGISTERED TRADEMARKS OF ECOSENSE LIGHTING INC.

ECOSENSELIGHTING.COM

1/1

August 13, 2024
Public Hearing

The current proposal is:

Preservation Department – Item 3, LPC-25-00396

**125 Chambers Street, aka 95 West Broadway – Tribeca South
Historic District
Borough of Manhattan**

To testify virtually, please join Zoom

Webinar ID: 854 0834 7928

Passcode: 643937

By Phone: 646-558-8656 (NY)

877-853-5257 (Toll free) US

888-475-4499 (Toll free)

Note: If you want to testify virtually on an item, join the Zoom webinar at the agenda's "Be Here by" time (about an hour in advance). When the Chair indicates it's time to testify, "raise your hand" via the Zoom app if you want to speak (*9 on the phone). Those who signed up in advance will be called first.