

September 10, 2024
Public Hearing

The current proposal is:

Preservation Department – Item 8, LPC-24-11905

122 Washington Place – Greenwich Village Historic District Borough of Manhattan

To testify virtually, please join Zoom

Webinar ID: 863 0633 9476

Passcode: 077141

By Phone: 646-558-8656 (NY)

877-853-5257 (Toll free) US

888-475-4499 (Toll free)

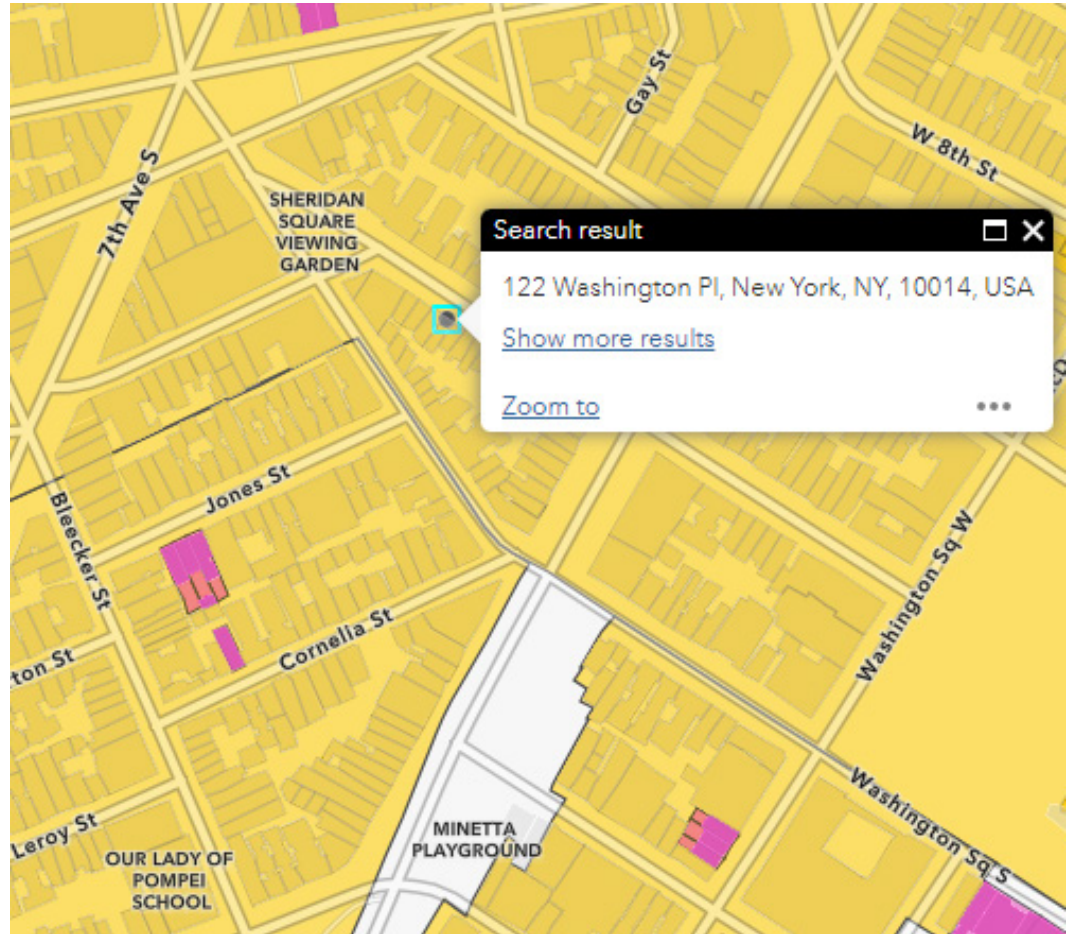
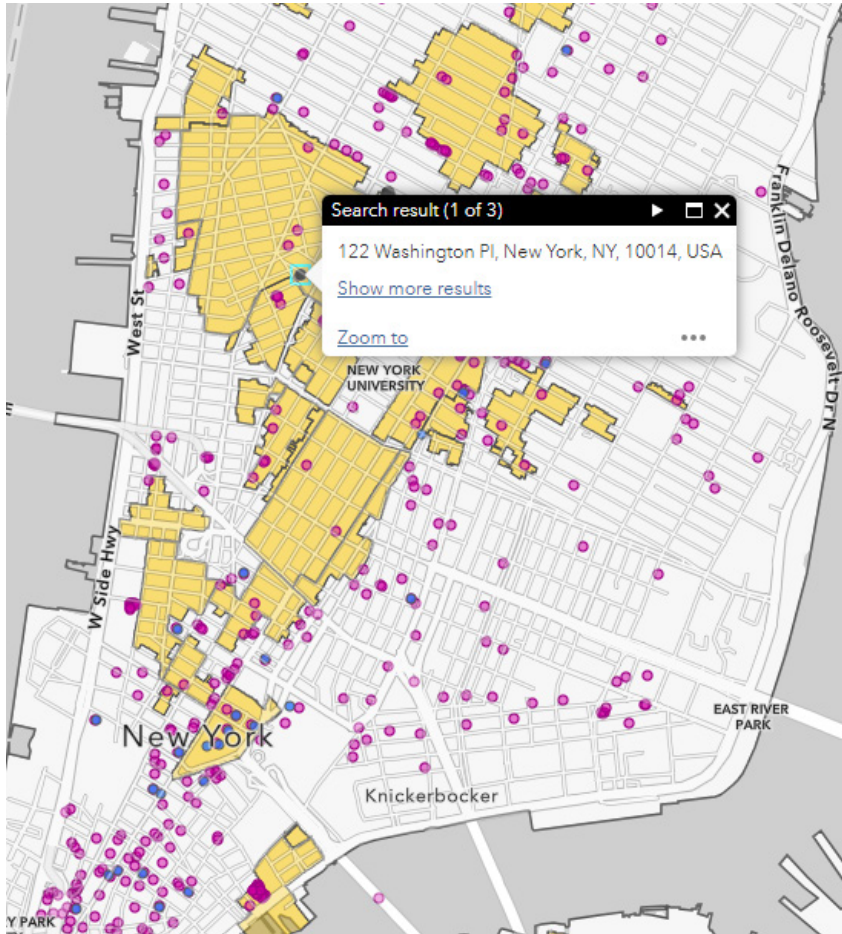
Note: If you want to testify virtually on an item, join the Zoom webinar at the agenda's "Be Here by" time (about an hour in advance). When the Chair indicates it's time to testify, "raise your hand" via the Zoom app if you want to speak (*9 on the phone). Those who signed up in advance will be called first.

122 Washington Place, New York, NY 10014

Block 592

Lot 8

Docket LPC-24-11905



HISTORIC DISTRICT MAPS

168 Waverly
138 Waverly
122 Waverly Place
17 Barrow Street
79 Christopher St
451 Hudson St
17 Grove St
12-14 Minneta St
133 West 4th Street
132 West 4th Street*

*(Stoop gate existed at
the time of designation)



MAP OF APPROVED STOOP GATES IN IMMEDIATE VICINITY



79 CHRISTOPHER



138 WAVERLY



133 W 4TH



17 GROVE



451 HUDSON



168 WAVERLY

EXAMPLES OF APPROVED STOOP GATES



HISTORIC PHOTO: 1942



EXISTING ELEVATION

122 WASHINGTON PLACE: EXISTING CONDITIONS



EXISTING CONDITIONS: CLOSE UP



EXISTING CONDITIONS: CLOSE UP



EXISTING ELEVATION: 1/8"=1'

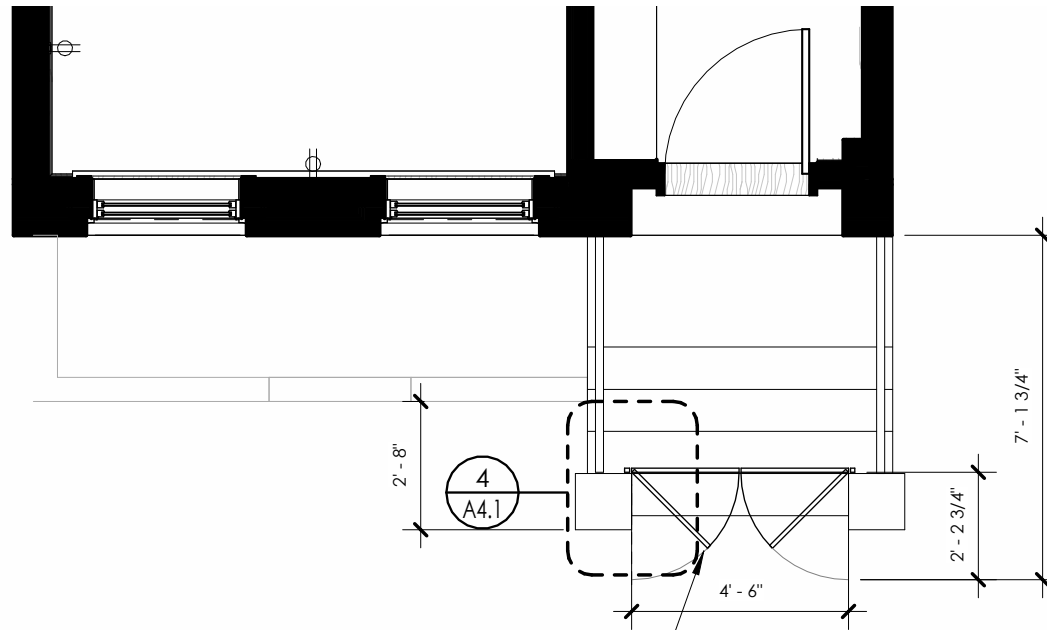


EXISTING ELEVATION ENLARGED : 1/2" = 1'

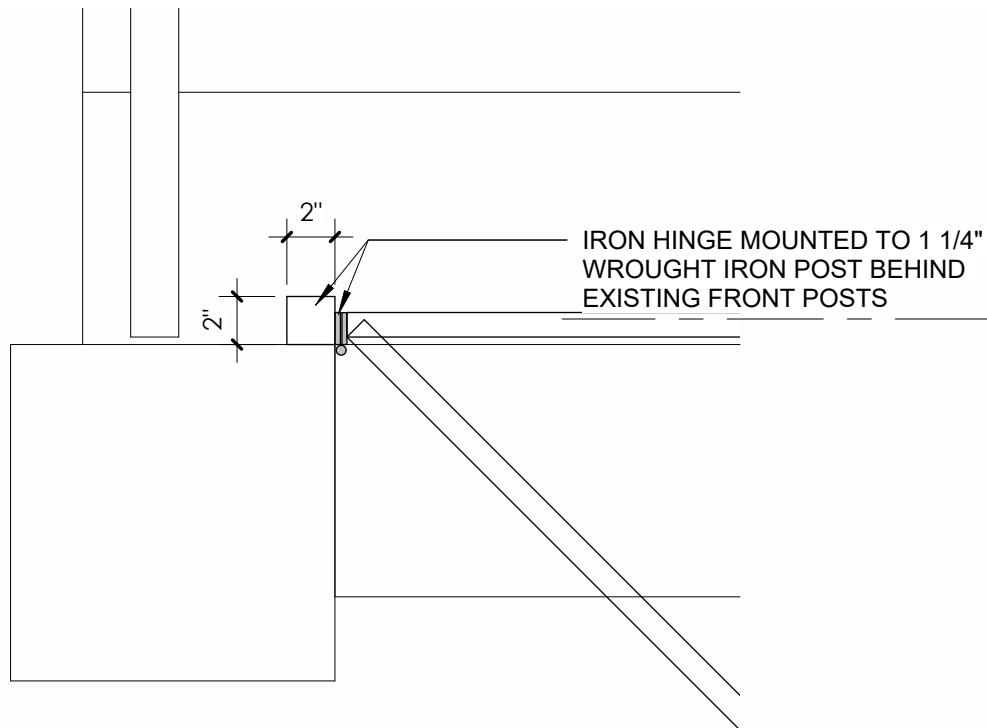


NEW WROUGHT IRON GATE AT STOOP

PROPOSED ELEVATION ENLARGED : 1/2" = 1'

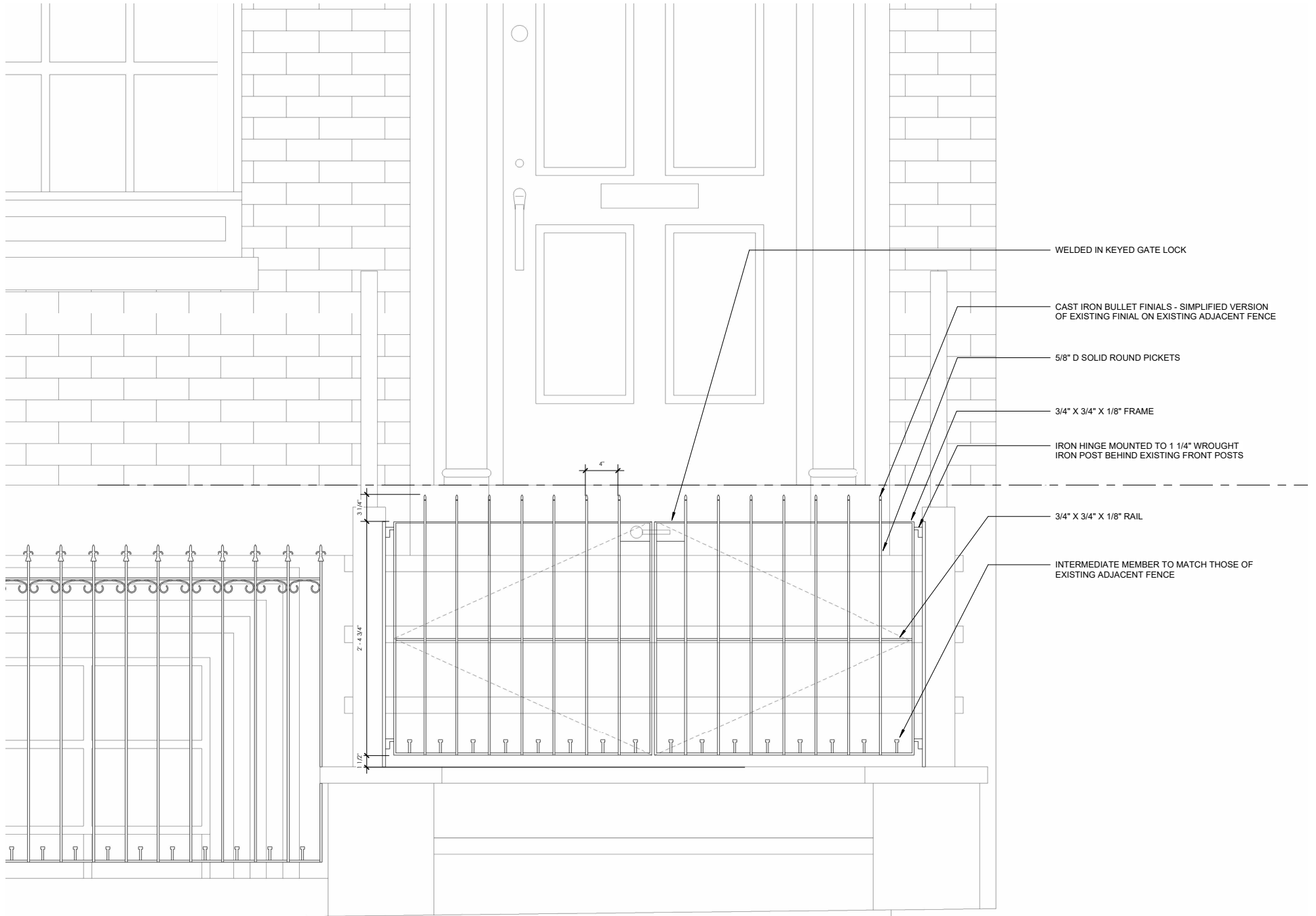


PROPOSED OUTSWING GATE



IRON HINGE MOUNTED TO 1 1/4"
WROUGHT IRON POST BEHIND
EXISTING FRONT POSTS

PROPOSED_GATE DETAIL



PROPOSED_GATE DETAIL



PROPOSED GATE



PROPOSED GATE

September 10, 2024
Public Hearing

The current proposal is:

Preservation Department – Item 8, LPC-24-11905

122 Washington Place – Greenwich Village Historic District Borough of Manhattan

To testify virtually, please join Zoom

Webinar ID: 863 0633 9476

Passcode: 077141

By Phone: 646-558-8656 (NY)

877-853-5257 (Toll free) US

888-475-4499 (Toll free)

Note: If you want to testify virtually on an item, join the Zoom webinar at the agenda's "Be Here by" time (about an hour in advance). When the Chair indicates it's time to testify, "raise your hand" via the Zoom app if you want to speak (*9 on the phone). Those who signed up in advance will be called first.