

October 8, 2024
Public Hearing

The current proposal is:

Preservation Department – Item 4, LPC-25-00606

**99 Wooster Street – Gay Activists Alliance Firehouse –
Individual Landmark
Borough of Manhattan**

To testify virtually, please join Zoom

Webinar ID: 832 0475 2631

Passcode: 804927

By Phone: 646-558-8656 (NY)

877-853-5257 (Toll free) US

888-475-4499 (Toll free)

Note: If you want to testify virtually on an item, join the Zoom webinar at the agenda’s “Be Here by” time (about an hour in advance). When the Chair indicates it’s time to testify, “raise your hand” via the Zoom app if you want to speak (*9 on the phone). Those who signed up in advance will be called first.

THUMA

99 WOOSTER STREET

NEW YORK, NY

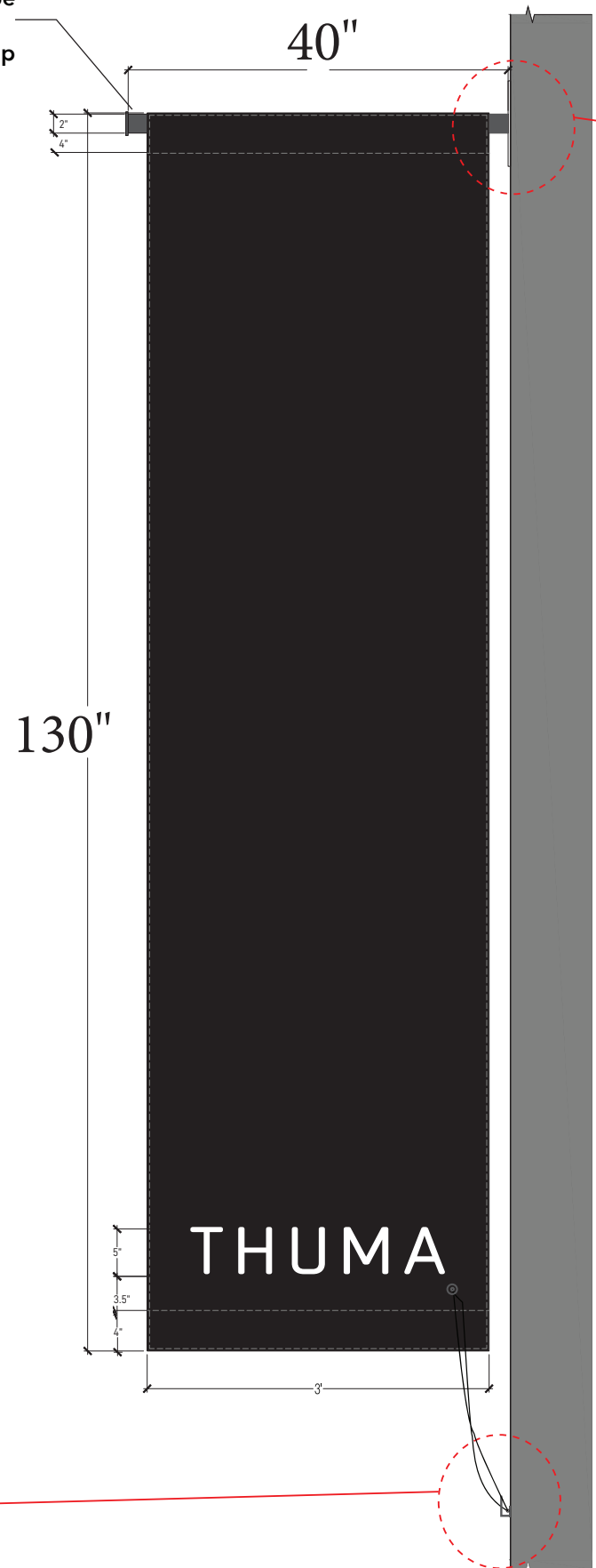
September 6, 2024



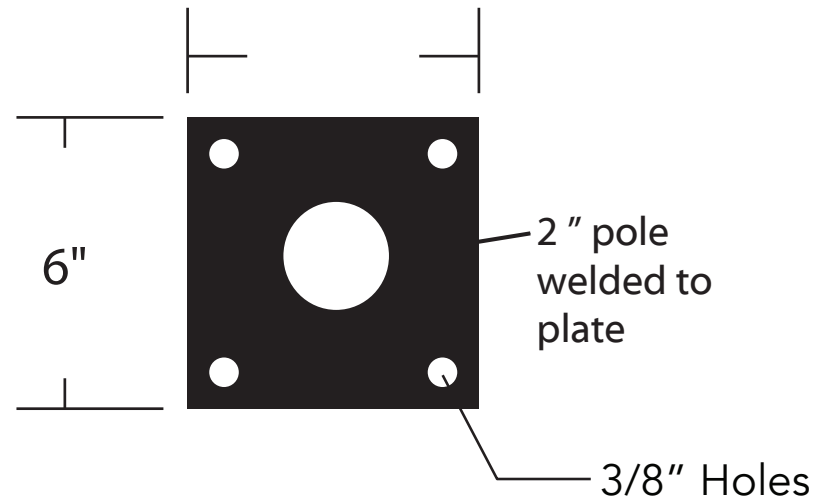
SoHo Cast Iron Historic District



40" x 2" Schedule
40 Aluminum Pipe
2.5'X3/16" End Cap



6"x6"x3/8" Thick Plate



SIGN TYPE DOUBLE SIDED SUNBRELLA BANNER

36"WX130"H FINISH SIZE

LOGO:WHITE

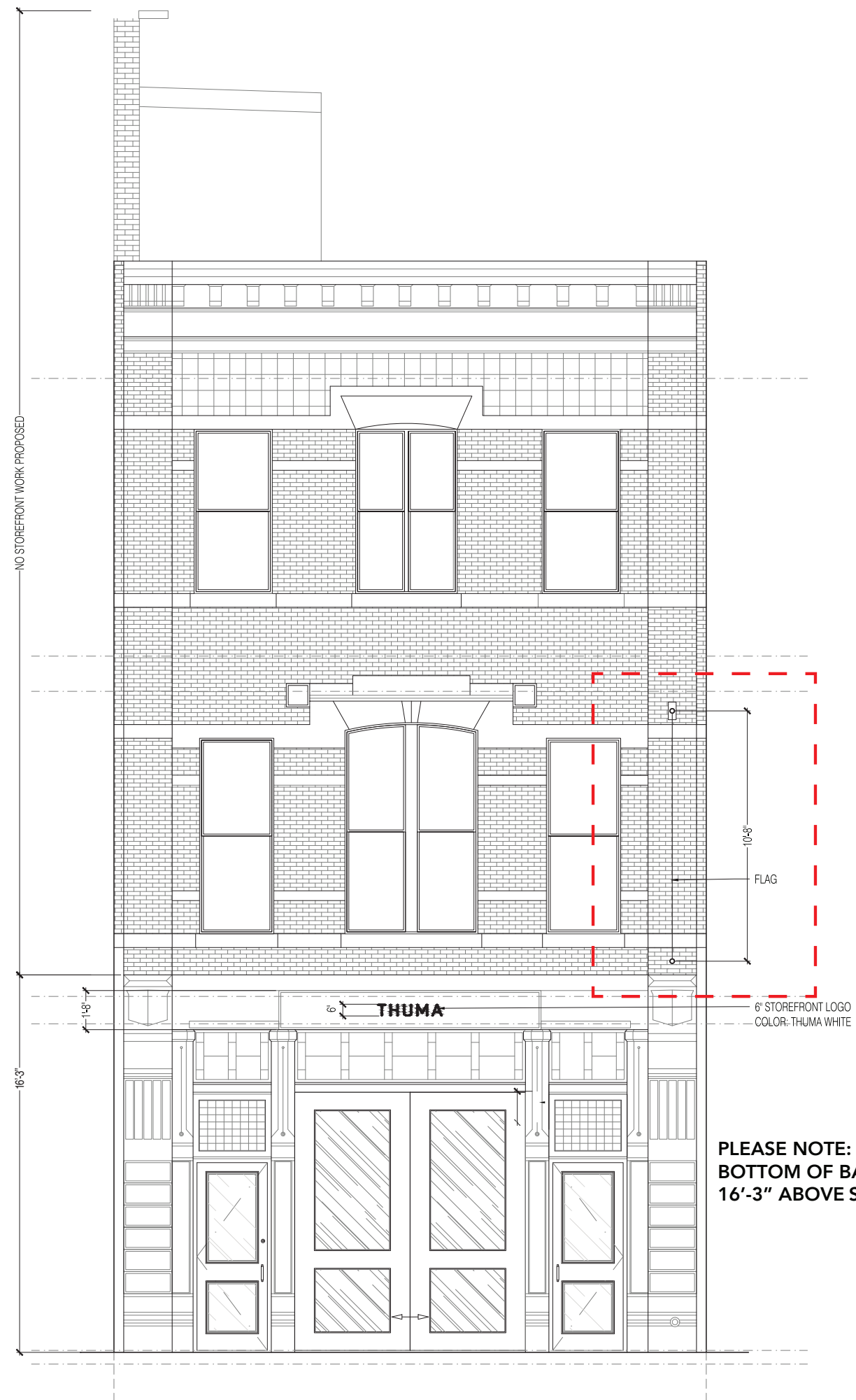
4" POLE POCKET TOP ONLY

BOTTOM OF BANNER MOUNTED WITH LEASH

(Qty:X1)

BANNER IS MOUNTED WITH
LEASH AND SECURED TO
2X2 "L" BRACKET

PLEASE NOTE:
BOTTOM OF BANNER IS
16'-3" ABOVE
SIDEWALK



PLEASE NOTE:
BOTTOM OF BANNER IS
16'-3" ABOVE SIDEWALK





Existing Condition

Note: Window vinyl and exterior wall sign approved and permitted June 6th, 2024 under docket # LPC-24-10307







101 Wooster Street



104 Wooster Street

Neighboring Signage



122 Spring Street



118-120 Spring Street



Historic Photos



October 8, 2024
Public Hearing

The current proposal is:

Preservation Department – Item 4, LPC-25-00606

**99 Wooster Street – Gay Activists Alliance Firehouse –
Individual Landmark
Borough of Manhattan**

To testify virtually, please join Zoom

Webinar ID: 832 0475 2631

Passcode: 804927

By Phone: 646-558-8656 (NY)

877-853-5257 (Toll free) US

888-475-4499 (Toll free)

Note: If you want to testify virtually on an item, join the Zoom webinar at the agenda's "Be Here by" time (about an hour in advance). When the Chair indicates it's time to testify, "raise your hand" via the Zoom app if you want to speak (*9 on the phone). Those who signed up in advance will be called first.